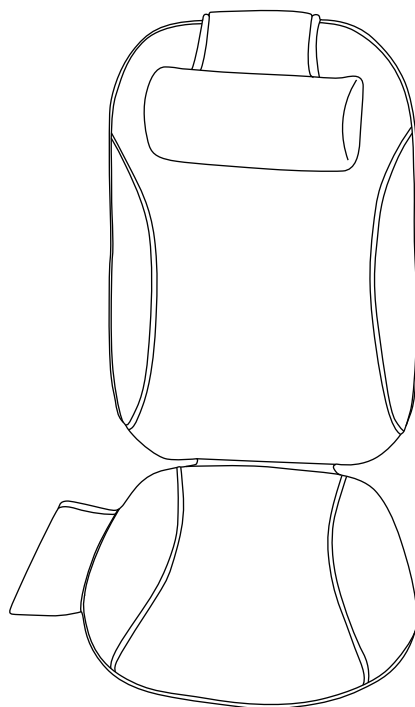




*mobile*seat **XE** **DUO**

DUAL-ACTION MASSAGE CUSHION



User Manual
OZ 0939 使用手册



OGAWA

*mobile*seat **XE** **DUO**
DUAL-ACTION MASSAGE CUSHION

User Manual

All information is correct at the time of print

CONTENTS

Safety Instructions	03
Warranty Claims	06
Main Unit & Accessories	07
Controller Diagram	08
Product Operation Guide	09
Display	12
Product Maintenance	13
Troubleshooting	14
Product Specifications	15
Contact Us	16

Safety Instructions

i. Usage environment

- Do not use the appliance in a wet condition or dusty environment as this may result in malfunction or electric shock.
- Do not use the appliance in the bathroom.
- Do not place or store the appliance where it can fall or be pulled into a tub or sink.
- Place the appliance in a safe location.
- Do not use or sit on the appliance when driving the car.
- Do not expose the appliance to a heater or direct sunlight.

ii. Unsuitable user

If you are experiencing health complications or conditions as stated below, please consult your doctor before use:

- Suffering from heart disease
- Pregnancy
- Any health concerns

iii. When the product should not be used

- If the use exceeds 15 minutes at one time.
- This unit should not be used by children or invalids without adult supervision.
- Do not use this product before sleep.
- If the fabric cover is torn.
- If liquid is spilled onto the appliance.
- If the user feels abnormal or severe pain during the massage.
- If the user detects any malfunction or other abnormal conditions during operation.
- If there is lightning.

Safety Instructions

iv. Caution and warning

- Unplug the appliance from the outlet when not in use.
- Do not use any attachments that are not recommended by OGAWA.
- Do not operate this appliance if it has a damaged cord or plug. Please return the unit to OGAWA Service Center for examination and repairs.
- Do not insert your hands or any object into the massager's vents and gaps.
- Use the heated surfaces carefully. It should not be used by children or incapacitated persons. May be dangerous.
- Do not lift or carry this appliance by the power cord or any cord.
- This product is only intended for home use only.
Commercial use is prohibited.
- Do not cover the appliance during operation.
- Do not crush appliance and avoid it from sharp folds.

Safety Instructions

v. Note

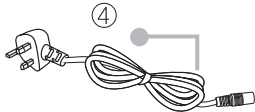
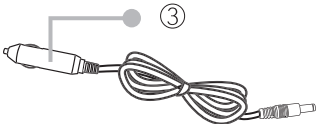
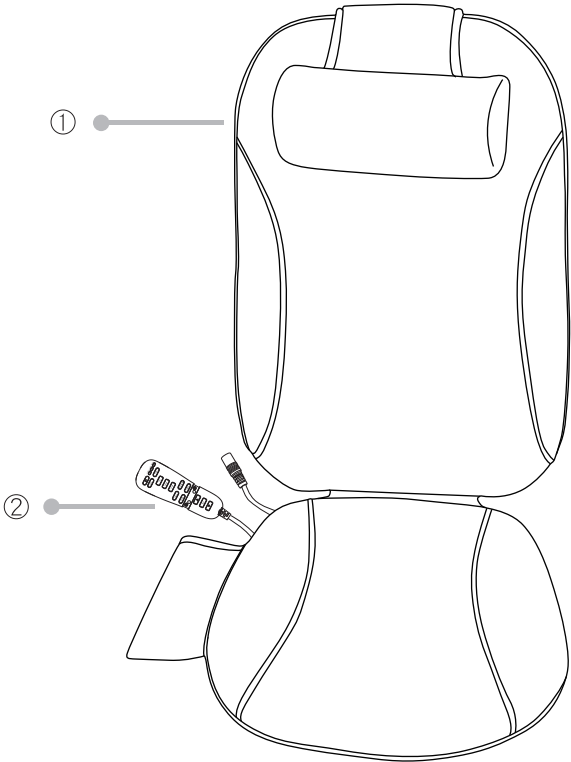
- Please read these safety notes thoroughly beforehand to ensure the safety and correct use of the appliance.
- The appliance is not intended for use by persons suffering from physical, sensory or mental disabilities, or persons who lack experience and knowledge about the product. They need to be supervised and instructed by a person responsible for their safety.
- Extensive usage could lead to excessive heating and shorter product lifespan. Should this occur, discontinue usage and allow the unit to cool before operating.
- Some levels of noise during usage are normal due to vibration.
- Consult the doctor before use if the person using it is under medication or with a medical condition. Please do not use the product if you are not feeling well.
- Do not increase the room temperature abruptly if the appliance is used in the cold room. It is advisable that the temperature should increase gradually to a normal level.
- If the appliance is stored in a cold place or in a warm environment, please wait for one hour before use to reach the optimum massaging level.
- Do not remove the cover of the appliance. Touching the internal components may result in malfunction or electric shock.
- Do not connect or disconnect the power cord from the electrical outlet with wet hands.
- Do not use the appliance if the electrical outlet is loose.

Warranty Claims

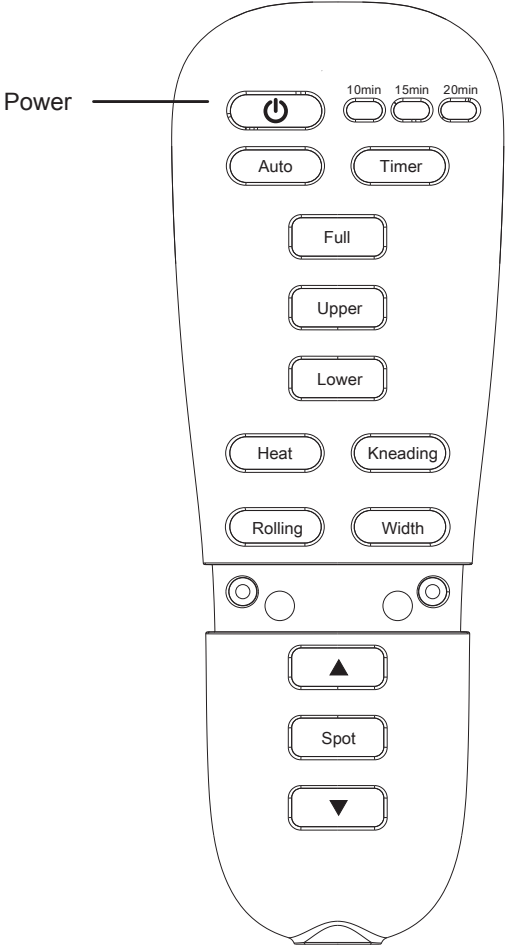
1. Warranty is not transferable.
2. This warranty is effective only if the product is purchased from OGAWA.
3. Proof of purchase (original receipt) is required for all warranty repairs.
4. All implied warranties, including but not limited to these implied warranties of fitness and merchantability, are limited to the duration stated in the warranty policy.
5. Damage due to misuse, improper treatment and unauthorized modification and repair are not covered by this warranty.
6. Warranty does not cover accessories and attachments which do not belong to the massage unit.
7. Warranty is not effective to rental, business, commercial, institutional or other non-residential users.
8. All services covered by this warranty must be approved by OGAWA and repaired by authorized technicians only.
9. If replacement parts for defective materials are not available, OGAWA reserves the right to make substitution in lieu of repair or replacement.

Main Unit & Accessories

- ① Back cushion
- ② Controller
- ③ Car adaptor
- ④ Adaptor



Controller Diagram



Product Operation Guide

i. Placing the massager

- The massager equipped with a back strap that allows user to fasten onto most chairs.
- Place the massager on a chair, wrap the two ends of the straps round the back of the chair and secure them by the Velcro.

Operation instruction

i. [Power]

Insert the power plug into the electric outlet. Turn on the power. If the rollers are not at the bottom position, the light of the [Power] button will flash and the rollers will return to the bottom position.

Press the [Power] button, the product button [Auto] will flashing. The massager would automatically begin to run the full massage function with [Auto 1] mode.

Press again the [Auto] button, The product enter another [Auto 2] mode in which the [Full], [Heat], and [Rolling] button is activate and function.

The operation of massager for each usage is 15 minutes. After about 15 minutes of usage of the appliance, all the appliance function will stop.

Press the [Power] button, all the lights on the panel will turn off and all the buttons will stop functioning and the massager roller will set back to the original position.

Product Operation Guide

ii. [Rolling]

Press the [Rolling] button and the massager will perform the full back rolling, and heating process.

The [Full] back massage is a default for the [Rolling] mode but you can still select either [Upper] or [Lower] massage.

iii. [Kneading]

Press the [Kneading] button and the massager will perform the full back kneading and heating process.

The [Full] back massage is a default for the [Kneading] mode but you can still select either [Upper] or [Lower] massage.

iv. [Spot Up]/[Spot Down]

[Spot Up]/[Spot Down] function would work just when the [Kneading] function is operating.

The roller will fix to knead at a position when we press the [Spot Up]/[Spot Down] button.

The roller would move up to knead when we keep pressing the [Spot Up] button. It would fix until we stop pressing the [Spot Up] button.

Press the [Spot Down] button, and the roller would move down to knead and it would fix until we stop pressing the [Spot Down] button. Spotting function: the kneading function is only available when [Kneading] function is activated.

v. [Width]

After being activated, the [Width] function is only available when the automatic mode of [Kneading] is not enabled.

Press the [Width] button one time and the roller angle would be adjusted to another width.

Repeated press the [Width] button, the roller angle will adjust to another width.

Display

1. Kneading and Rolling massaging programs for full back, upper back or lower back relaxation.
2. Spot massage function for customized Kneading to relax the back area.
3. Heat function to increase the Kneading and Rolling effects and improve blood circulation.
4. Light and portable design.
5. Easy to use remote controller.
6. Auto shut-off after 15 minutes.
7. LED light indicators.

Effects by using the appliance

1. Relieves the muscle ache and pain.
2. Relieves the tension and reduces the stress.
3. Improves blood circulation.

When not in use, press the [Power] button, and please don't cut off the power immediately until the rollers have resumed to the bottom and the indicator light is off.

After use

Press the 'Power' button after use and the massager will stop operating. Massage rollers will resume to their original position. Unplug the appliance from the power outlet.

Product Maintenance

To store

- Keep the massager in the box or in a safe, dry and cool place.
- Keep the massager away from sharp edges or pointy objects that might cut or puncture the product's fabric surface.
- To avoid damage, do not wrap the power cord around the unit.
- Do not hang the unit with the controller cord.

To clean

- Avoid immersing unit in any liquid during cleaning.
- Unplug the unit and allow it to cool before cleaning.
- Clean only with a soft, slightly damp sponge.
- Keep the appliance away from water or any liquid.
- Avoid using abrasive cleaners, brushes, gasoline, kerosene, glass/ furniture polish or paint thinner to clean the product.

CAUTION

- Do not lean on the dual massage mechanism in the cushion when adjusting your body position to avoid tears on the products cushion surface.
- Do not jam or force any part of your body against the moving massage mechanism.
- Not recommended for use on wooden surfaces as the zipper may damage the wood.
- Only gentle force should be exerted against the unit in order to eliminate any risk of injury.
- Driver is not recommended to use this product when driving as the heated function requires much more power. To avoid damaging your car's electricity system, connect the car plug to the product only after you activate your car's engine.
- Do not attempt to repair the massage cushion, please contact 'OGAWA Service Center' for any servicing required.

Troubleshooting

This massager is controlled by an integrated chip and is susceptible to power surges from +10% to -15%. Due to this, the massager might display the following:

Conditions	Possible Reason	Solution
Cant turn on	<ol style="list-style-type: none">1. Power not connect2. Remote not on	<ol style="list-style-type: none">1. Ensure the plug is properly connected to power source.2. Press the [Power] button
Sudden stop	<ol style="list-style-type: none">1. Power off2. Massager had over 15 minutes massage usage.3. Overheat protection4. Overload protection	<ol style="list-style-type: none">1. Check the power source2. Restart the massager3. Let the product cool, then restart the massager4. Restart the massager

Product Specifications

Product Name	Mobile Seat XE Duo
Model number of the Product	OZ0939
Power source	100-240V
Frequency	50-60Hz
Voltage	12V 2.5A
Power consumption	30W
Dimensions (Length/width/height)	L700xW179xH488 (mm)
Weight	5 KG

Contact Us



MALAYSIA
Healthy World Lifestyle Sdn Bhd
No. 22 Jalan Anggerik Mokara 31/47
Kota Kemuning, 40460 Shah Alam
Selangor Darul Ehsan, Malaysia
Tel : +603-5121 4286
Fax: +603-5121 4386



HONG KONG, CHINA
OGAWA Health Care International (HK) Ltd
31/F,YHC Tower,1Sheung Yuet Road
Kowloon Bay
Kowloon
Hong Kong
Tel:+852 3465 6262
Fax:+852 2410 0119



SINGAPORE
OGAWA Health-Care Pte Ltd
27 Tampine Industrial Avenue 5,
T5 @ Tampines
Singapore 528623

Tel:+065-6846 8588
Fax:+065-6846 7677



VIETNAM
OGAWA Vietnam Co Ltd
2nd floor,Petroland Tower,
12 Tan Trao,Tan Phu ward
District 7
Ho Chi Minh
Tel:+84 8 3775 3093/3775 3094
Fax:+84 8 3775 3095



PHILIPPINES
O-Healthcare Solution Phil. Inc.
2303, 4th Floor, G&A Building,
Chino Roces Avenue Extension,
Makati City, Philippines
Tel : +632 889 0676 / +632 844 6851
Fax: +632 812 0421

目录

安全说明	18
保修权限	21
产品零件及配件	22
手控器说明	23
操作说明	24
性能指示	27
产品保养	28
疑难解答	29
产品规格	30
联络我们	30

安全说明

i. 使用环境

- 请勿在潮湿或灰尘密集的环境下使用本产品，以免导致触电或机器故障。
- 请勿在浴室中使用本产品。
- 请勿将此产品放在浴缸或水槽旁，以免脱落。
- 请将本产品存放在安全的地方。
- 请勿在驾驶时，使用或坐在此产品上。
- 请勿将此产品暴露于热源或阳光直射下。

ii. 不适宜人群

以下人士，请在使用前先咨询医生的意见：

- 心脏病患者
- 孕妇
- 身体不适者

iii. 以下情况请勿使用本产品

- 当一次使用本产品超过15分钟时。
- 小孩或残病人士在无人监督的情况下。
- 睡前。
- 产品外层破损。
- 液体泼溅到产品上。
- 使用过程中感到不寻常或剧烈疼痛。
- 使用中过程中发觉任何机件故障或不寻常状况。
- 打雷时。

安全说明

iv. 警告

- 没有使用时，请拔下电源插头。
- 请勿使用非 OGAWA 提供的配件。
- 当电源线或插头损坏时，请勿使用并及时联系 OGAWA 服务中心进行维修检查。
- 请勿将手或任何异物塞入按摩器间隙中。
- 请务必谨慎使用按摩器的导热功能，勿用于对热能反应较为迟钝的皮肤上及血液循环不良的部位。请问让儿童或身心功能障碍者自行使用导热功能。
- 请勿扯动电源线来移动本产品。
- 本产品仅为个人使用，禁止用于商业用途。
- 请勿在使用中覆盖本产品，以免引起故障或火灾。
- 请勿挤压或用尖锐物刮破本产品。

安全说明

v. 注意

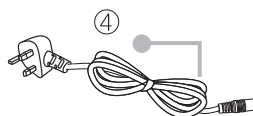
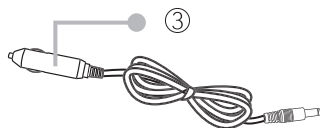
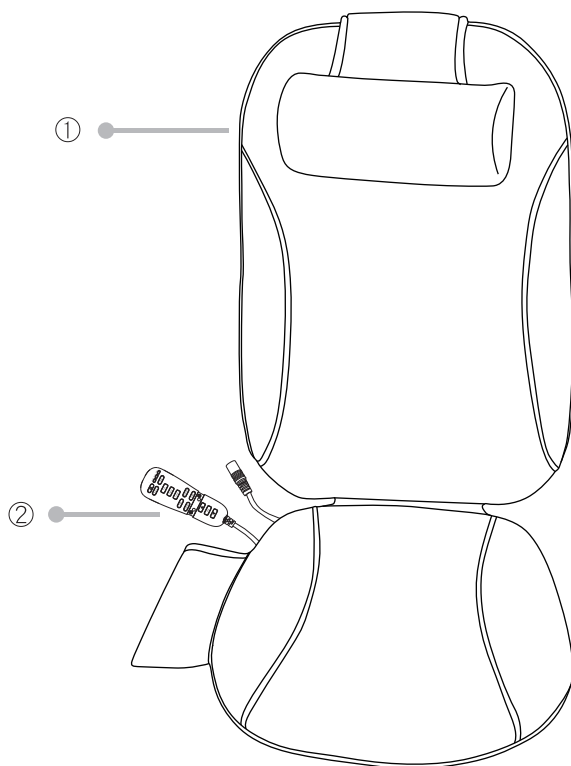
- 为确保安全及正确使用，使用前请务必详细参阅本说明书。
- 若儿童、身心功能或智能障碍者使用本产品，必须有人在旁指导且能确保其安全。
- 过度使用可能会导致产品过热或缩短产品寿命，重复使用时，须让产品冷却一段时间后再使用。
- 使用时发出的声响属正常，这是由产品振动而产生的。
- 正在接受药物或医疗治疗者，请在使用前咨询医师。若您感觉不适，请勿使用本产品。
- 如果在低温室中使用，请勿骤然升高温度。建议将温度逐渐升高调整到正常温度后。
- 若将产品存放于低温或高温的环境中，建议您在一小时后才进行使用本产品以达到最佳的按摩体验。
- 请勿拆卸本产品。触碰内部机件可能导致故障或触电意外。
- 请勿用潮湿的手安插或拔出电源插头。
- 当电源插座有松动时，请勿使用。

保修权限

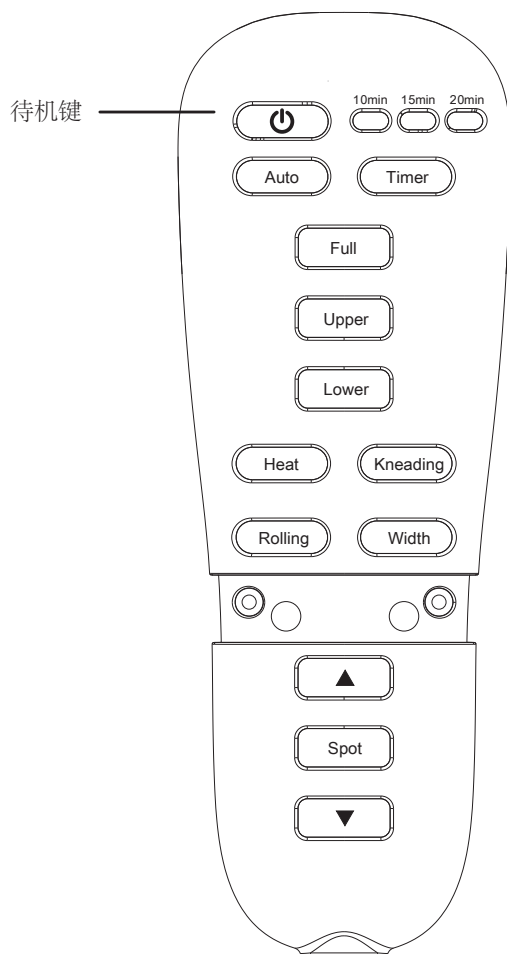
1. 本保修权限不可转让。
2. 本保修服务仅对在 OGAWA 购买的产品有效。
3. 当要求保修服务时，请出示购买证明（正本收据）。
4. 所有保修项目，包括但不限于这些健身及适销性的保修项目有效期限需视保修政策而定。
5. 因错误使用、处理不当以及未经授权私自改装和维修产品而导致的损坏，不属于保修范围。
6. 此保修范围不包括不属于产品本身的附件。
7. 此保修范围不适用于租赁、交易、商业、机构或其他非住宅用户。
8. 此保修范围内所涉及的维修服务需经过 OGAWA 授权，且必须由授权的技术人员维修。
9. 若需更换的维修附件缺货，OGAWA 有权采用替代配件进行维修。

产品零件及配件

- ① 产品主体
- ② 手控器
- ③ 车用转接器
- ④ 开关电源



手控器说明



操作说明

i. 固定产品

- 产品配有固定带，适用于各式座椅。
- 将产品放置于座椅上，将两条固定带向后环绕椅背，再将魔鬼粘贴合固定。

操作指导

i. 电源开关

请将电源插头插入电源座里。打开电源。此时如果滚轮不在底部，[开关]键的显示灯将会闪烁，并自行回到底部的位置。

按 [Power] 键, 按键 [Auto] 会闪烁. 产品将进入 [自动 1] 模式.

再按 [Auto] 键, 产品将进入 [自动 2] 模式此时 [Full], [Heat], 和 [Rolling] 键是启动的.

每次操作的时间是15分钟。15分钟时间到，按摩器所有功能停止工作，机器复位。

操作说明

ii. [Rolling]

按 [Rolling] 键，[Rolling]键才有效。开启背部行走功能，默认[Full]，但是也可以选择 [Upper] 或 [Lower] 功能。

iii. [Kneading]

按 [Kneading] 键，[Kneading]键才有效，开启背部行走功能，默认[Full]，但是也可以选择[Upper] 或 [Lower] 功能。

iv. [Spot Up]/[Spot Down]

[Spot Up]/[Spot Down] 滚轮将会调整揉捏的位置。

当你按下[Spot Up]键不放时，滚轮会向上揉捏，一直到你停止按[Spot Up]键时，滚轮才会停下并进行定点。

当你按下[Spot Down]键不放时，滚轮会向下揉捏，一直到你停止按[Spot Down]键时，滚轮才会停下并进行定点。

v. [Width]

开启状态下 [Kneading] 自动模式开启时[Width] 才有效。

按 [Width] 键一次，调节按摩头宽度一次。

再按 [Width] 键一次，调节按摩头宽度一次。

性能指示

1. 指压及搓揉按摩程序能让背部达到放松。
2. 定点按摩功能提供了特定位置的指压按摩。
3. 导热功能增加指压及搓揉的按摩效果，并促进血液循环。
4. 方便携带。
5. 遥控器易操作。
6. 使用15分钟后，产品自动停止操作。
7. LED 显示灯。

使用效果

1. 缓解肌肉疼痛。
2. 缓解精神紧张并降低压力。
3. 促进血液循环。

在不使用时，要先按下[开关]键，请勿立即切断电源，需待滚轮回复到底部及指示灯熄灭后才切断电源。

使用后

使用完毕之后，请按下[开/关]键，产品将停止操作，按摩滚轮将自动复位。复位完成后，可以安全拔出电源线。

产品保养

贮藏

- 请将置放于原盒内或者安全、干爽通风的地方。
- 远离尖状物以免刮破按摩器表面。
- 请勿将电线缠绕按摩器。
- 请勿以控制线悬挂按摩器。

清洁

- 清洗时只须用柔软微湿的海绵抹拭即可。
- 清洗前切记关掉电源并待按摩器冷却。
- 切勿将加热按摩器浸于任何溶液中清洗。
- 将按摩器远离水或其他液体。
- 切勿用清洁剂、刷子、汽油、煤油、玻璃清洁剂或者稀释剂清洗按摩器。

提示

- 为了避免加热按摩垫外套破损，在调整按摩位置时，请不要依靠在按摩垫上。
- 请勿用身体阻挡在移动中的按摩机制。
- 因为拉链可能会损坏木椅表面，所以我们建议不要将加热按摩器放在木椅上使用。
- 使用过程中，避施力过度于按摩器以防受伤。
- 由于导热功能耗电量较高，所以驾车人士不鼓励在驾驶时使用本产品。为避免您车内的电源系统损坏，请在引擎启动后才将本产品连接至点烟器。
- 请勿自行维修本产品，如需维修服务，请与OGAWA售后服务中心联系。

疑难解答

此产品由集成芯片控制，对电压波较为敏感。如果电压波动超过限定电压 +10% 或 -15%，按摩器可能出现以下情况：

异常情况	可能原因	处理方法
	<ol style="list-style-type: none">1.未通电2.手控器电源开关未开启	<ol style="list-style-type: none">1.接入电源或检查电源插头是否插好2.开启开关键
突然 停止操作	<ol style="list-style-type: none">1.断电2.按摩时间超过15分钟3.连续使用时间过长，产品过热保护4.施力过大，按摩球堵转	<ol style="list-style-type: none">1.检查电源插头是否插好2.重新开启电源开/关3.产品冷却后重新开启电源开/关按钮4.重新启动电源开/关按钮

产品规格

产品名称	Mobile Seat XE Duo
型号	OZ0939
额定电压	100-240 伏特
额定频率	50-60 赫
输出电压	12V 2.5A
额定功率	30W
尺寸 (长 x 宽 x 高)	长 700 x 宽 179 x 高 488 (毫米)
重量	5公斤

联络我们



MALAYSIA
 Healthy World Lifestyle Sdn Bhd
 No. 22 Jalan Anggerik Mokara 31/47
 Kota Kemuning, 40460 Shah Alam
 Selangor Darul Ehsan, Malaysia
 Tel : +603-5121 4286
 Fax: +603-5121 4386



HONG KONG, CHINA
 OGAWA Health Care International (HK) Ltd
 31/F,YHC Tower,1Sheung Yuet Road
 Kowloon Bay
 Kowloon
 Hong Kong
 Tel:+852 3465 6262
 Fax:+852 2410 0119



SINGAPORE
 OGAWA Health-Care Pte Ltd
 27 Tampine Industrial Avenue 5,
 T5 @ Tampines
 Singapore 528623

 Tel:+065-6846 8588
 Fax:+065-6846 7677



VIETNAM
 OGAWA Vietnam Co Ltd
 2nd floor,Petroland Tower,
 12 Tan Trao,Tan Phu ward
 District 7
 Ho Chi Minh
 Tel:+84 8 3775 3093/3775 3094
 Fax:+84 8 3775 3095



PHILIPPINES
 O-Healthcare Solution Phil.Inc.
 2303, 4th Floor,G&A Building,
 Chino Roces Avenue Extension,
 Makati City,Philippines
 Tel : +632 889 0676 / + 632 844 6851
 Fax: +632 812 0421

Ogawa is grateful
to have received
these awards:



Ogawa Wellness Hubs : Malaysia . Singapore . Vietnam . Philippines . Indonesia . Myanmar . India . China
Hong Kong . Taiwan . Turkey . Pakistan . Saudi Arabia . Mauritius . Russia . France
Canada