



Tapping Foottee

foot reflexology *therapy*



User Manual
OF 1728 使用手册



OGAWA

Tapping Foottee

foot reflexology *therapy*

User Manual

All information is correct at the time of print

CONTENTS

| | |
|-------------------------|----|
| Safety Instructions | 03 |
| Warranty Claims | 05 |
| Main Unit & Accessories | 06 |
| Controller Diagram | 06 |
| Product Operation Guide | 07 |
| Product Maintenance | 08 |
| Troubleshooting | 09 |
| Product Specifications | 10 |
| Contact Us | 11 |

Safety Instructions

i. Usage environment

- Do not use the appliance in a wet condition or dusty environment as this may result in malfunction or electric shock.
- Do not use the appliance in the bathroom.
- Do not use the appliance on the bed.
- Do not place or store the appliance where it can fall or be pulled into a tub or sink. Place the appliance in a safe location.
- Do not sit on the appliance.
- Do not expose the appliance to a heater or direct sunlight.

ii. Health Precautions

If you are experiencing health complications or conditions as stated below, please consult your doctor before use:

- Suffering from heart disease
- Pregnancy
- Any health concerns

iii. When the product should not be used

- If the use exceeds 15 minutes at one time.
- This unit should not be used by children or invalids without adult supervision.
- Do not use this product before sleep.
- If the fabric cover is torn.
- If water is accidentally spilled onto the appliance.
- If the user feels abnormal or severe pain during the massage.
- If the user detects any malfunction or other abnormal conditions during operation.
- If there is lightning.

iv. Caution and warning

- Unplug the appliance from the outlet when not in use
- Do not use any attachments that are not recommended by OGAWA
- Do not operate this appliance if it has a damaged cord or plug. Please return the unit to OGAWA Service Center for examination and repairs.

Safety Instructions

- Do not drop or insert any object into any opening.
- Handle heated surfaces carefully. The unattended use of the heated surfaces by children or invalids may be dangerous.
- Do not lift or carry this appliance by the power cord or any cord.
- This appliance is designed only for personal use, and not for professional purposes.
- Do not cover the appliance during operation.
- Do not crush the appliance and avoid any sharp folds.
- The appliance has a heated surface. Persons insensitive to heat must be careful when using the appliance.

v. Note

- To ensure safe and proper use of the appliance, do not operate it before reading this user manual carefully first.
- The appliance is not intended for use by persons with reduced physical, sensory or mental capabilities, or lack of experience and knowledge. They need to be supervised and instructed about its usage by a person responsible for their safety.
- Extensive usage could lead to excessive heating and a shorter product lifespan. Should this occur, discontinue the use and allow the unit to cool before operating again.
- For people under medication or with a medical condition, please consult your doctor before use. Please do not use the product if you are not feeling well.
- If the appliance is used in a cold room, do not increase the room temperature abruptly. It is advised that the temperature is gradually increased to a normal level.
- If the appliance is stored in a cold place and being taken into a warm environment, please wait one hour before use to get the optimum massaging level.
- Do not remove the cover of the appliance. Mishandling the internal components may result in malfunction or electric shock.
- Do not connect or disconnect the power plug from the electrical outlet with wet hands.
- Do not use the appliance if the electrical outlet is loose.

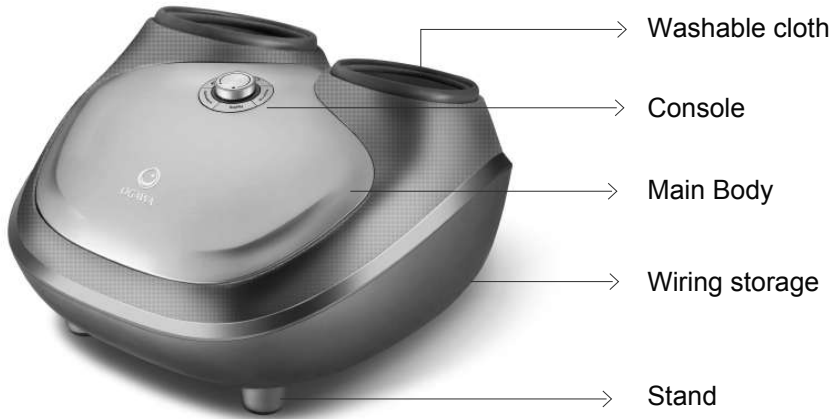
Safety Instructions

- The appliance is only to be used with the power supply provided.
- This appliance can be used by children aged from 8 years and above and persons with reduced physical, sensory or mental capabilities or lack of experience and knowledge if they have been given supervision or instruction concerning use of the appliance in a safe way and understand the hazards involved.
- Children shall not play with the appliance.
- Cleaning and user maintenance shall not be made by children without supervision.

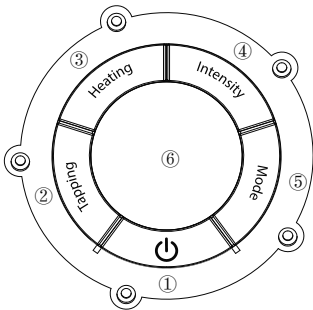
Warranty Claims

1. Warranty is not transferable.
2. This warranty is effective only if the product is purchased from OGAWA.
3. Proof of purchase (original receipt) is required for all warranty repairs.
4. All implied warranties, including but not limited to these implied warranties of fitness and merchantability, are limited to the duration stated in the warranty policy.
5. Damage due to misuse, improper treatment and unauthorized modification and repair are not covered by this warranty.
6. Warranty does not cover accessories and attachments which do not belong to the massage unit.
7. Warranty is not effective to rental, business, commercial, institutional or other non-residential users.
8. All services covered by this warranty must be approved by OGAWA and repaired by authorized technicians only.
9. If replacement parts for defective materials are not available, OGAWA reserves the right to make substitution in lieu of repair or replacement.

Main Unit & Accessories



Controller Diagram



- 1) POWER Button-Control supply of the appliance, When button is press, the LED light will on.
- 2) Tapping Button-3 selection mode
Mode 1: green LED is on
Mode 2: blue LED is on
Mode 3: red LED is on
- 3) Heating Button-Press this button to activate heat function, the red LED will on. Press again to stop the function.

4) Intensity Button-Control the massage intensity of the appliance via 3 modes:
The green LED is weak, blue LED is middle, red LED is strong.

5) The Mode Function-
Mode 1: blue LED is on
Mode 2: green LED is on
Mode 3: red LED is on

6) Tapping speed controller- CW is to increase the speed. CCW is to decrease the speed.

Product Operation Guide

i. Preparation before use

1. Before using the appliance
 - Check if there is any damage to the appliance.
 - Check the appliance is placed in the proper position.

ii. Operation guide

1. Untie the cord and plug in the appliance into 220-240V 50/60Hz socket. the buzzer will ring, the appliance will enter a standby state.
2. Operating method
 - The appliance are in stand by mode, touch Power button, buzzer will sound, decorative light will on, product enter to on mode, at the same time appliance enter to 15 minute countdown.
 - Touch Mode button to activate Mode 1, Mode 2, Mode 3-close(at the same time shut off tapping & heating) in a cycle. Each change, the buzzer will ring and corresponding LED will turn on.
 - In auto mode, intensity is preset in week, green LED, tapping is in standby mode. white LED.
Mode 1: blue LED is on
Mode 2: green LED is on
Mode 3: red LED is on

Tapping button

- 1) Tapping function can be activate when Auto mode is off. The strength can be adjust from tapping speed controller. Touch tapping button to activate tapping function.
Mode 1: green LED is on
Mode 2: blue LED is on
Mode 3: red LED is on
- 2) In auto mode,tapping button is white LED, tapping function can be on/off independently, The strength can be adjust from tapping speed controller.
 - Heating function can be on/off independently by touching the heating button. When acivate, LED light will on and LED will off when function is off. The buzzer will sound and corresponding LED will on.
 - Intensity button--Control the massage intensity of the appliance via 3 modes.
 - The green LED is weak, blue LED is middle, red LED is strong.

Operating Guide

- Tapping speed controller
Under activating tapping function, speed controller can be use
 - 1) Turn button in CCW, tapping strength will decrease.
 - 2) Turn button in CW, tapping strength will increase.
- When the appliance is on, it will enter into 15 minute countdown. Once reach 15 minute, rall process will stop. Appliance turn into standby mode.
- When the appliance is on standby mode, unplug the cord it will cut off the current.

Product Maintenance

TO STORE

- Place the massager in this box or in a safe, dry and cool place. Avoid any contact with sharp edges or pointed objects that might cut or puncture the surface.
- Please wind up and store the power cord under the appliance bottom frame. Do not hang the unit by the power cord.

TO CLEAN

- Close the power button and unplug the unit before cleaning.
- Clean only with a soft, slightly damp sponge.
- The attachable cloth can be used to clean the appliance.

CAUTION

- Avoid using any corrosive detergent, such as Benzene or diluents to clean the appliance.
- Take care of the LOGO area in order to avoid tearing the cloth via its edges.

MAINTENANCE

- Do not discard the protective film as much as possible in order to protect the metal LOGO.
- Keep the appliance clean and store it away from wet conditions.
- If the appliance is not used for a long time, please use a dust cover (please buy it by yourself) to cover the appliance, to avoid any dust on the product.

Troubleshooting

This massager is controlled by an integrated chip and is susceptible to power surges from +10% to -15%. Due to this, the massager might display the following:

| Conditions | Solutions |
|--|--|
| Not operating | <ol style="list-style-type: none">1. Check if the plug is connected properly.2. Press the "POWER" button. |
| During operation, the appliance is not operating | <ol style="list-style-type: none">1. Check the plug is connected properly.2. Press the "POWER" button again.3. After the appliance has cooled down, press the " POWER" button again. |

Product Specifications

| Product Name | Tapping Foottee |
|----------------------------------|-------------------------|
| Model number of the product | OF 1728 |
| Power source | 220-240V |
| Power frequency | 50/60Hz |
| Power consumption | 50W |
| Timer | 15 minutes |
| Dimensions (Length/width/height) | L410 x W390 x H261 (mm) |
| Weight | 9.34kg |

Contact Us



MALAYSIA
Healthy World Lifestyle Sdn Bhd
No. 22 Jalan Anggerik Mokara 31/47
Kota Kemuning, 40460 Shah Alam
Selangor Darul Ehsan, Malaysia
Tel : +603-5121 4286
Fax: +603-5121 4386



HONG KONG, CHINA
OGAWA Health Care International (HK) Ltd
31/F,YHC Tower,1 Sheung Yuet Road
Kowloon Bay
Kowloon
Hong Kong
Tel :+852 3465 6262
Fax:+852 2410 0119



SINGAPORE
OGAWA Health-Care Pte Ltd
27 Tampines Industrial Avenue 5,
T5 @ Tampines
Singapore 528623
Tel : +065-6846 8588
Fax: +065-6846 7677



VIETNAM
OGAWA Vietnam
171 Nguyen Thi Thap Street
Tan Phu Ward
Dist 7
Ho Chi Minh City, Vietnam
Tel : +84 8 3775 3093 / 3775 3094
Fax: +84 8 3775 3095



INDONESIA
PT Healthy World
Lodan Center Block O No 20
Jalan Lodan Raya No 2
Jakarta Utara 14430
Tel : +62 21-6983 1123
Fax: +62 21-6983 1124



PHILIPPINES
O-Healthcare Solution Phil. Inc.
2303, 4th Floor, G&A Building,
Chino Roces Avenue Extension,
Makati City, Philippines
Tel : +632 889 0676 / +632 844 6851
Fax: +632 812 0421

目录

| | |
|---------|----|
| 安全说明 | 13 |
| 保修权限 | 15 |
| 主要部件及附件 | 16 |
| 手控器说明 | 16 |
| 产品操作说明 | 17 |
| 产品保养 | 18 |
| 疑难解答 | 19 |
| 产品规格 | 20 |
| 联络我们 | 21 |

安全说明

i. 使用环境

- 请勿在潮湿或灰尘密集的环境下使用本产品，以免导致触电或机器故障。
- 请勿在浴室中使用。
- 请勿在床上使用。
- 请勿将此产品放置于高处或水池等旁边，以免掉落。请存放于安全的地方。
- 请勿坐在此产品上。
- 请勿将此产品放置于电热器旁或阳光直射处。

ii. 健康注意事项

如果您有并发症或身体状态如下，请在使用前先咨询医生的意见：

- 心脏病患者
- 怀孕
- 有任何健康问题

iii. 禁止使用的情况

- 每次使用请勿超过 15 分钟。
- 小孩或残病人士使用时，需有旁人监护。
- 请勿在睡前使用本产品。
- 如果布套破损，请勿使用本产品。
- 如果液体泼溅到产品上，请勿使用本产品。
- 如果使用中产生不正常或严重疼痛时，请勿使用本产品。
- 如果使用中察觉出任何机件故障或不正常状况，请勿使用。
- 请勿在雷电情形发生时使用本产品。

iv. 注意事项及警告

- 没有使用时，请拔下电源插头。
- 请勿使用非 OGAWA 提供的配件。
- 当电源线或插头损坏时，请勿使用并及时联系 OGAWA 服务中心进行维修检查。

安全说明

- 请勿在任何开口处塞入异物。
- 请务必谨慎使用加热表面。请勿让儿童或身心功能障碍者自行使用加热功能，操作不当会存在危险。
- 请勿扯动电源线来移动本产品。
- 本产品仅为个人使用，不适用于其他用途。
- 请勿在使用中覆盖本产品。
- 请勿挤压或用尖锐物刮破本产品。
- 该设备具有加热表面。对热不敏感的人一定要小心使用设备。

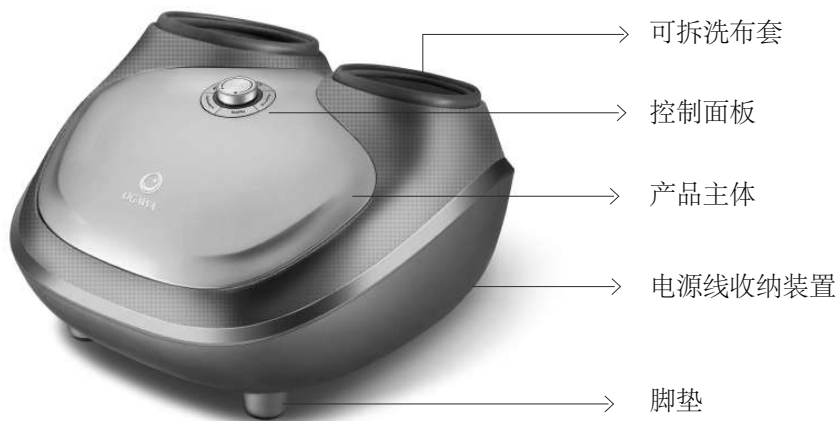
v. 注意

- 为确保安全及正确使用，使用前请务必详细参阅本说明书。
- 若儿童、身心功能或智能障碍者使用本产品，必须有人在旁指导且能负责其安全。
- 过度使用可能会导致过热或缩短产品寿命，重复使用时，须让产品冷却一段时间后再使用。
- 正在接受药物或医疗治疗者，请在使用前咨询医师。若您感觉不适，请勿使用本产品。
- 如果在低温室中使用，请勿骤然升高温度。建议逐渐将温度调整到正常温度后，再使用。
- 若将产品从低温的储存室移至较暖的环境中时，请在一小时后再使用本产品，以便获得最佳按摩效果。
- 请勿拆卸本产品。触碰内部机件可能导致故障或触电意外。
- 请勿用潮湿的手安插或拔出电源插头。
- 当电源插座有松动时，请勿使用。
- 该产品仅限于与所提供的电源使用。
- 此设备可以让年龄从8岁以上儿童，肢体，感官或心智能力或缺乏经验知识的人使用，如果他们都被赋予监督或指导有关使用本产品以安全的方式和理解的危害。
- 儿童不得与家电玩。
- 清洁和用户维护，不得以儿童不受监督进行。

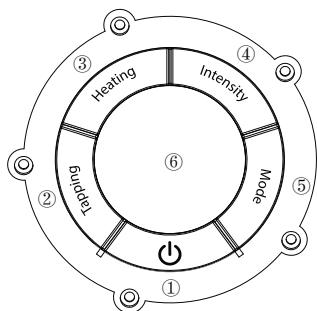
保修权限

1. 本保修权限不可转让。
2. 本保修服务仅对在 OGAWA 购买的产品有效。
3. 当要求保修服务时，请出示购买证明（正本收据）。
4. 所有保修项目，包括但不限于这些健身及适销性的保修项目有效期限需视保修政策而定。
5. 因错误使用、处理不当以及未经授权私自改装和维修产品而导致的损坏，不属于保修范围。
6. 此保修范围不包括不属于产品本身的附件。
7. 此保修范围不适用于租赁、交易、商业、机构或其他非住宅用户。
8. 此保修范围内所涉及的维修服务需经过 OGAWA 授权，且必须由授权的技术人员维修。
9. 若需更换的维修附件缺货，OGAWA 有权采用替代配件进行维修。

主要零件及配件



Controller Diagram



- 1) 开关键- 控制产品开关，按一次指示灯亮，其他功能响应；
- 2) 律动键- 3种模式选择
模式1: 绿灯亮
模式2: 蓝灯亮
模式3: 红灯亮
- 3) 加热键- 控制加热功能，按一次，加热功能开启，指示灯红灯亮；再按一次，功能关闭，指示灯灭。

- 4) 强度键- 控制产品的3种气压：
绿灯为弱档；蓝灯为中档；红灯为强档；
- 5) 模式键-
模式 1: 蓝灯亮
模式 2: 绿灯亮
模式 3: 红灯亮
- 6) 律动频率调节键- 顺时针频率加快，逆时针减弱；

产品操作说明

i. 使用前准备

1. 使用产品前

- 检查产品有无破损。
- 产品摆放位置确定安稳舒适。

ii. 使用方法

1. 解开背部束线装置的电源线，接入220~240V/50~60Hz的电源插座上，此时蜂鸣器响一声，产品进入待机状态。

2. 操作方法

- 产品处于待机状态时，按压一次开关键，蜂鸣器短响一声，装饰圈指示灯亮，产品进入开机状态，进入15分钟倒计时；
- 产品处于开机状态时
- 按压模式键，可实现模式一 - 模式二 - 模式三 - 关闭（同时关闭律动 & 加热），依次循环切换；每切换一个模式，蜂鸣器短响一声，相应指示灯亮。
自动模式状态下，强度键默认弱档，指示灯绿灯亮；律动功能默认开启。
指示白灯亮。
蓝灯指示为模式一，绿灯指示为指示二，红灯指示为模式三。
- 按压律动键
 - 1) 在自动模式关闭状态下，按律动键启动律动模式，强度为按钮位置对应强度；按压律动键，可实现三种模式的切换；每切换一个模式，蜂鸣器短响一声。绿灯指示为模式一，蓝灯指示为模式二，红灯指示为模式三。
 - 2) 在自动模式开始状态下，律动键白色指示灯亮，按压律动键可独立开/关律动功能，强度为按钮位置对应强度。
- 压加热键，可独立控制功能开启及关闭；功能开启响应指示灯亮，功能关闭相应指示灯灭。每按压次此键，蜂鸣器短响一声。
- 按压强度键，可控制三档强度的切换；每切换一个档位，蜂鸣器短响一声，相应指示灯亮。绿色灯指示为弱档，蓝色灯指示为中档，红色灯指示为强档。

产品操作方式及功能说明

- 旋转律动频率调节键
在律动功能开启状态下，电位器旋钮开关有效：
1) 向小圆点位置方向旋转，律动强度减弱；
2) 向大圆点位置方向旋转，律动强度增强；
- 产品开机运作时，进入15分钟倒计时，当15分钟定时时间结束，所有功能停止工作，产品进入待机状态。
- 产品处于待机状态时，拔出电源线，电源切断。

产品保养

贮藏

- 请将置放于原盒内或者安全、干爽通风的地方，避免以尖状物刮破加热按摩器的表面。
- 请将电源线缠绕在产品底部的固定架下，以便储藏。切勿使用电线悬挂加热按摩器。

清洁

- 清洁之前，确认产品开关已关闭，并拔出电源插头。
- 清洗时只须用柔软微湿的海绵抹拭即可。
- 可拆洗布套可用于清洁本产品。

注意

- 切勿使用具有腐蚀性的清洁剂，如苯或稀释剂来清洁。
- Logo 位置擦拭时需特别留心，以免边角被布料勾起。

保养

- 保护膜尽量不要丢弃，以保护金属 LOGO。
- 保持产品清洁并远离高湿度的场所。
- 如果长时间不使用本产品，请用防尘罩（请自行购买）套住产品，防止落入灰尘。

疑难解答

此产品由集成芯片控制，对电压波较为敏感。如果电压波动超过限定电压 + 10 % 或 - 15%，按摩器可能出现以下情况：

| 异常情况 | 解决办法 |
|--------|--|
| 不工作 | <ol style="list-style-type: none">1. 接入电源或检查电源是否连接良好2. 按开关键 |
| 突然停止工作 | <ol style="list-style-type: none">1. 检查电源接口是否接好2. 再次按开关键3. 产品冷却后再次按开关键 |

产品规格

| 产品名称 | Tapping Foottee |
|----------------|------------------------|
| 产品型号 | OF 1728 |
| 电压 | 220-240 伏特 |
| 电频 | 50/60赫 |
| 功率 | 50 瓦特 |
| 定时 | 15 分钟 |
| 尺寸 (长 x 宽 x 高) | 长 410 宽 390 高 261 (毫米) |
| 重量 | 9.34公斤 |

Contact Us



MALAYSIA
Healthy World Lifestyle Sdn Bhd
No. 22 Jalan Anggerik Mokara 31/47
Kota Kemuning, 40460 Shah Alam
Selangor Darul Ehsan, Malaysia
Tel : +603-5121 4286
Fax: +603-5121 4386



HONG KONG, CHINA
OGAWA Health Care International (HK) Ltd
31/F,YHC Tower,1 Sheung Yuet Road
Kowloon Bay
Kowloon
Hong Kong
Tel :+852 3465 6262
Fax:+852 2410 0119



SINGAPORE
OGAWA Health-Care Pte Ltd
27 Tampines Industrial Avenue 5,
T5 @ Tampines
Singapore 528623
Tel : +065-6846 8588
Fax: +065-6846 7677



VIETNAM
OGAWA Vietnam
171 Nguyen Thi Thap Street
Tan Phu Ward
Dist 7
Ho Chi Minh City, Vietnam
Tel : +84 8 3775 3093 / 3775 3094
Fax: +84 8 3775 3095



INDONESIA
PT Healthy World
Lodan Center Block O No 20
Jalan Lodan Raya No 2
Jakarta Utara 14430
Tel : +62 21-6983 1123
Fax: +62 21-6983 1124



PHILIPPINES
O-Healthcare Solution Phil. Inc.
2303, 4th Floor, G&A Building,
Chino Roces Avenue Extension,
Makati City, Philippines
Tel : +632 889 0676 / +632 844 6851
Fax: +632 812 0421

Ogawa is grateful
to have received
these awards:



PUTRA
BRAND AWARDS 2010
SILVER
By excellence
MALAYSIA'S MOST VALUABLE BRANDS

Ogawa Wellness Hubs : Malaysia . Singapore . Vietnam . Philippines . Indonesia . Myanmar . India . China
Hong Kong . Taiwan . Turkey . Pakistan . Saudi Arabia . Mauritius . Russia . France
Canada