



SMART SENTO

HOME SPA MASSAGE CHAIR



User Manual
OG 6238 使用手册



SMART SENTO

HOME SPA MASSAGE CHAIR

User Manual

All information is correct at the time of print

CONTENTS

Safety Instructions	03
Warranty Claims	05
Product Parts	06
Moving the Chair	07
Controller Diagram	08
Product Operation Guide	09
Product Features	15
Product Specifications	16
Troubleshooting	17
Product Maintenance	18
Contact Us	19

Safety Instructions

Warning!

The plug must be fully inserted into an appropriate outlet. Improper connection of the equipment-grounding conductor can result in the risk of electric shock.

Check with a qualified electrician and service personnel if you are in doubt as to whether the product is properly grounded. Do not modify the product's accompanying plug. If the outlet is not suitable, be sure to have a proper outlet installed by a qualified electrician.

When using the massage chair, basic precautions should always be followed to reduce the risk of electric shock, burns, fire, or injury.

Read the following details before use:

1. Be sure to insert the massage chair plug into the proper electrical outlet.
2. Make sure that the power plug is securely inserted into the proper electrical outlet to reduce the risk of short-circuit and fire.
3. Always unplug the massage chair from the electrical outlet immediately after use and before cleaning.
4. DO NOT use the massage chair in places where the humidity is high.
5. DO NOT use the massage chair outdoors and avoid places with direct sunlight.
6. If the power goes off during use, be sure to turn the power switch to the OFF position and pull the power plug out from the socket to prevent any damages when the power comes back.
7. Never operate the massage chair if the power cord is wet or damaged.
8. Never plug/unplug the power cord from the socket with wet hands.
9. Close and continuous supervision is necessary when this appliance is used by or near children, invalids or disabled persons.
10. Use this appliance only as described in this user manual.
11. Do not use any attachments other than those recommended by OGAWA.
12. Do not stand, sit or jump in the calves rest when the massage chair is in use. This may result in an accident or injury.
13. Do not attempt to stand on the backrest and armrest .This may result in an accident or injury.
14. Be careful not to fall asleep during the massage.

Safety Instructions

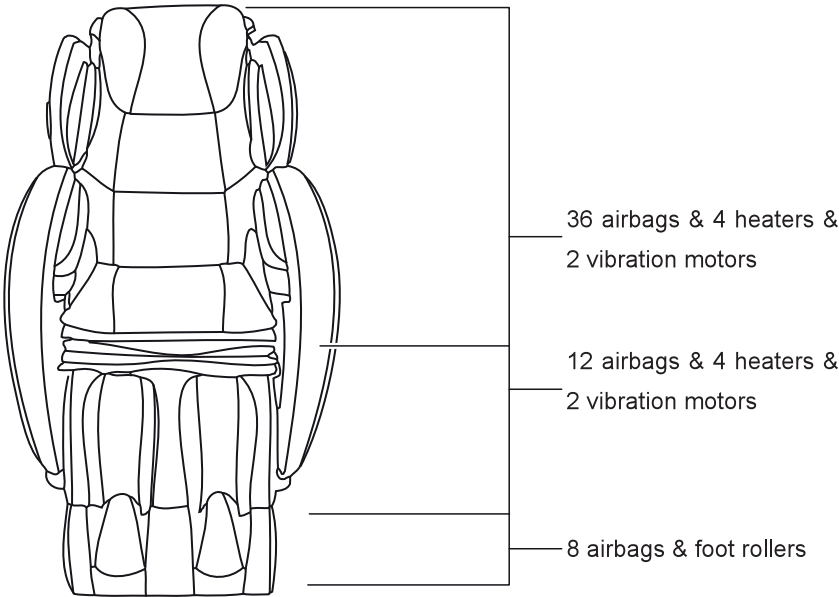
15. Always keep the massage chair clean and never insert any object into the gaps on and around the massage chair.
16. Do not remove the massage chair by pulling the power supply cord.
17. Be sure to check that there is no one (children in particular), pets or obstacles under the massage chair prior to lowering the leg rest /backrest.
18. Always check whether the surface of the massage chair is torn or ripped before use. If you find any unfamiliar tears in any area of the cloth in the backrest, do not use the massage chair. Kindly contact OGAWA service center immediately for repairs.
19. This appliance is designed for household use only.
20. For those suffering from illnesses, please consult your doctor on whether you can use the massage chair if in doubt.
21. The following persons are requested to consult a doctor prior to use in order to reduce the risk of the user feeling sick or suffering from an injury:
 - Those who have a malignant tumor;
 - Those who suffer from heart disease;
 - Those who are experiencing pregnancy, menstruation and puerperal;
 - Those who require complete rest;
 - Those who are under medical treatment;
 - Those who suffer from back problems or whose backbone is abnormal or bent.
22. If you experience pain during use, stop the massage chair immediately. If any injuries happen, consult a doctor immediately. Never massage on swollen or inflamed parts of the body.
23. This product is a non-professional appliance designed to provide a comfortable massage. Do not use this product as a substitute for medical treatment.
24. Do not use this massage chair for more than 30 minutes at one time and kindly limit the massage to a concentrated area for not more than 15 minutes. Over-massaging can result in overheating, and thus reducing the product's lifespan.
25. Do not operate where aerosol (spray) products are used or where oxygen is being administered.
26. The massage chair is not suitable for children aged 12 years old and below.

27. If the power plug is damaged, it must be replaced by a special plug available from OGAWA or authorized agents.
28. As a safety precaution , Motor will stop working automatically (for protection) if apply too strong external force during use. Once appear above, switch OFF power ,and switch ON again after 10 seconds . Please pay attention to this ,especially for user whose weight over 100KG.

Warranty Claims

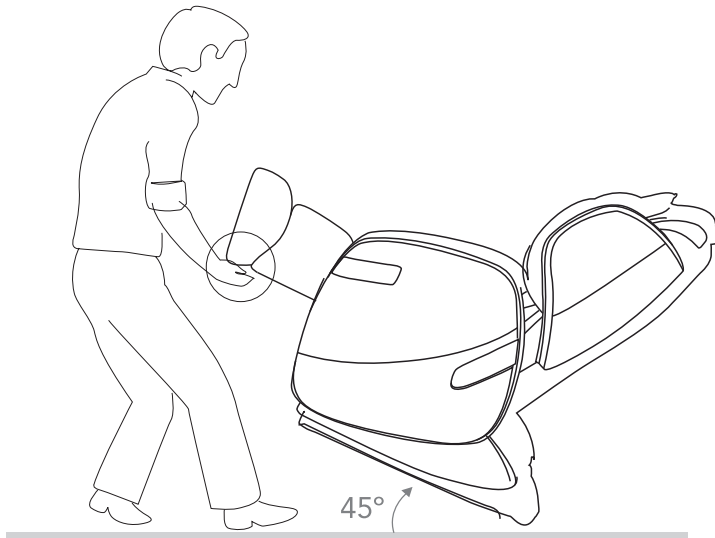
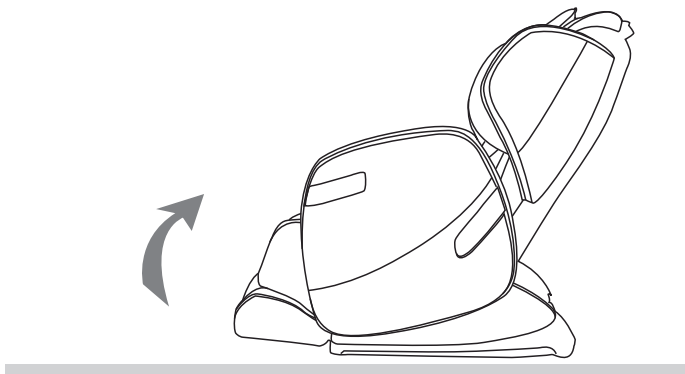
1. Warranty is not transferable.
2. This warranty is effective only if the product is purchased from OGAWA.
3. Proof of purchase (original receipt) is required for all warranty repairs.
4. All implied warranties, including but not limited to these implied warranties of fitness and merchantability, are limited to the duration stated in the warranty policy.
5. Damage due to misuse, improper treatment and unauthorized modification and repair are not covered by this warranty.
6. Warranty does not cover accessories and attachments which do not belong to the massage unit.
7. Warranty is not effective to rental, business, commercial, institutional or other non-residential users.
8. All services covered by this warranty must be approved by OGAWA and repaired by authorized technicians only
9. If replacement parts for defective materials are not available, OGAWA reserves the right to make substitution in lieu of repair or replacement.

Product Parts



Moving the Chair

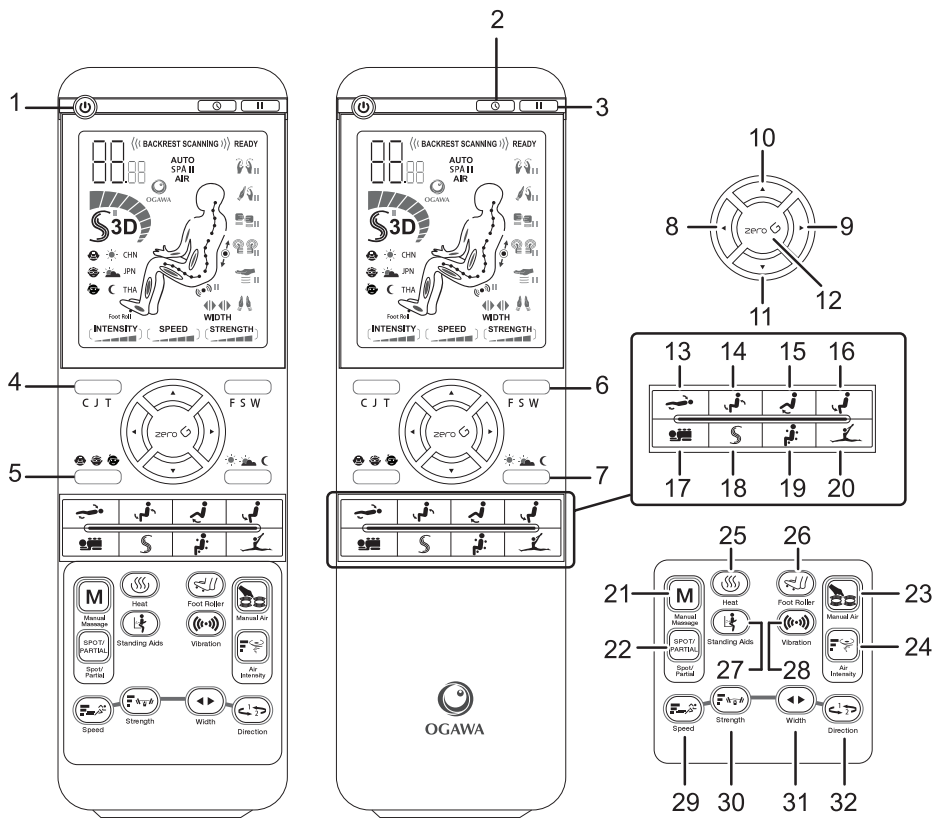
Lift up the calves-rest, before reclining the chair to approximate 45° to easily move the chair around the house with a slight pull or push.



Caution:

- i. Before moving the chair, please put the foot rest back in the original position. Otherwise, injuries might occur in the process of moving the chair.
- ii. Avoid moving the massage chair when there is someone seated on it.
- iii. Placing a mat underneath the massage chair is advisable, as the moving process might leave scratches on the floor surface.

Controller Diagram



Product Operation Guide

Connect to the power supply, and turn the switch to: "I" position, and the chair is now in idle mode. During this idle mode, the ON/OFF button will blink, which means the electric supply is connected. During its idle mode, there are only six functions: ON/OFF, Incline, Recline, Incline Leg, Recline Leg and Standing Aids that can be operated.

Control Buttons for the Massage Chair

1 ON/OFF

The Start/Stop Control Button

Press once on this button, the LCD backlight and ON/OFF button will be lit. Press any massage function button to begin the chair's massage functions. This will also start the Timer. Press this button again to stop all massage functions, and the massage rollers will return to their original position.

2 TIMER

Time Interval Control Button

When a massage function is activated, the time is preset at 15 minutes. Every time this button is pressed, it will change the time interval sequence at "20>25>30>5>10>15>20" minutes.

3 PAUSE

The Pause Button

When the chair is in massage mode and the user wants to temporarily pause it, press the Pause button and all massage functions will stop. The "Pause" button will be blinking and the set time countdown will be paused as well. Press the Pause button again to immediately cease the "Pause" function and resume the original massage function. The countdown will continue.

Full Body Auto Programmer

If either 1 of the 16 Auto Programs is activated, the chair will automatically perform a shoulder height scan. The user can manually adjust the shoulder height position to the desired comfort.

Product Operation Guide

The following are the Auto Program available:

4 DIFFERENT STYLE

C: Chinese

J: Japanese

T: Thai *1

5 DIFFERENT AGES

Elder

Adult

Youth

6 DEEP MASSAGE *2

Full Back

Shoulder

Waist

7 DIFFERENT PERIOD OF TIMES

Morning

Noon *1 *3

Night *1 *4

*1, ZeroG, INCLINE, RECLINE, INCLINE LEG, RECLINE LEG button are not controllable in particular massage program.

*2, Full Body: light turns red; Shoulder: light turns green; Waist: light turns blue.

*3, Massage time is fixed at 8 minutes, backrest and footrest will return to the original position after 20 minutes for this program.

*4, Massage time is fixed at 20 minutes.

8/9 The 3D adjustment

Press the Left/Right to adjust the 3D massage roller forward/backward respectively. There are 6 different levels available for adjustments to suit various massage strength requirements.

Product Operation Guide

10/11 UPWARD/DOWNWARD

The massage position adjustment button for spot and partial massage

When the Spot or partial massage functions are activated, press and hold the button to move the massage roller upward or downward. Release the button when the desired position is achieved.

12 ZERO-G

Press this button to activate the Zero-G1 function in default, press the button again to activate Zero-G2 function, and press again to return to the idle position.

Note: If this button is pressed while moving to Zero-G1, the massage chair will stop at the latest angle. If Zero-G button is not pressed while moving to Zero-G1, the massage will stop at the preset Zero-G1 angle. Same conditions apply to Zero-G2 function.

Note 1 : ZERO-G button is NOT controllable in the below massage programs: THAI, Noon, Night, SPA, Triple-S, STRETCHING

Note 2 : This is a shortcut key for ' standing aids ' button. At any time, press zero-G button for 2 sec to activate ' stand up assist' function.

13/14 INCLINE/RECLINE

Angle Adjustment Control Button for Massage Chair

These two control buttons can adjust the Inclining/Reclining angle respectively. Press once on the Inclining or Reclining control button to adjust the Backrest and Footrest to a desired comfortable position.

15/16 INCLINE LEG/ RECLINE LEG

Angle Adjustment Control Button for Footrest

These two control buttons can adjust the massage angle on the Footrest. Press once on the Incline Leg or Recline Leg control button, and the Footrest will start to move; When the Footrest reaches the desired comfortable position, press the button again to stop it.

17 SPA

Press once on this button to activate SPA1. Press again to activate SPA2. And press again to stop the function.

Note:

1. ZeroG, INCLINE, RECLINE, INCLINE LEG, RECLINE LEG button are not controllable in this massage program.
2. When massaging across the waist, the massage roller might cause an unbalanced situation. This situation is normal as the roller is adjusting itself.

Product Operation Guide

18 Triple-S

Press once on this button to activate Triple-S1. Press again to activate Triple-S 2. And press again to stop the function.

Note:

1. ZeroG, INCLINE, RECLINE, INCLINE LEG, RECLINE LEG button are not controllable in this massage program.
2. When massaging across the waist, the massage roller might cause an unbalanced situation. This situation is normal as the roller is adjusting itself.

19 Full Body Air Pressure massage

The Intensity Adjustment Button for Air-pressure - 5 levels of intensity to be adjusted

Press once to activate the Air-pressure massage at full body. Press again to stop the function.

20 STRETCHING

Press once to activate the stretching massage at full body. Press again to stop the function. ZeroG, INCLINE, RECLINE, INCLINE LEG, RECLINE LEG button are not controllable in this massage program

21 Manual Massage Function

KNEADING, SWEDISH, TAPPING, SHIATSU, CLAPPING, ROLLING

Press this button to activate the rhythmic kneading manual massage function for a full back massage at medium strength. Every time this button is pressed, the manual massage function will change in the sequence of KNEADING > SWEDISH > TAPPING > SHIATSU > CLAPPING > ROLLING > Stop.

22 SPOT/PARTIAL

The Spot or Partial Back massage

This button allows the user to select Spot massage for any part on the back. Press this button once to activate spot massage at the required location. Press this button again to switch to Partial function.

The partial Back Massage

While running spot massage, when this button is pressed again, the massage will change from spot to partial. The massage will take the spot position as the centre to perform partial massage at a distance of approximate 8 cm. Press again to stop the function.

Product Operation Guide

23 MANUAL AIR

Setting Air Squeeze

Press this button to activate the localized air-pressure massage. Every time this button is pressed, the manual air-pressure massage function will change in the sequence of FOOTREST >SEAT/WAIST >HANDREST > SHOULDER > STOP in cycle.

24 INTENSITY

The Intensity Adjustment Button for Air-pressure - 5 levels of intensity to be adjusted

After activating the Air-Pressure function (Auto and Manual), press this button to adjust the intensity in the cycle.

25 HEAT

Setting HEAT

Press this button to activate the localized heat. Every time this button is pressed, the manual heat function will change in the sequence of FOOTREST >SEAT >WAIST > STOP in cycle.

26 FOOT ROLL

Foot roll function Start/Stop Control Button

Press once to activate the roller on foot, press again to stop the foot roll function.

27 STANDING AIDS

When the massage is finished, you can press the button to activate STANDING AIDS, that will help you to stand up.

Note:

1. If chair is not in the idle mode, it will turn to idle first, and then start the STANDING AIDS function.
2. In the last 5 seconds, the controller will warn you with some sound that STANDING AIDS is finishing.

28 Vibration

Seat/Footrest Vibration function Start/Stop Control Button

Press once to activate the vibration mode1, press again to activate the vibration mode2, and again to stop the vibration function.

Product Operation Guide

29 SPEED

The Speed Adjustment Button for Swedish, Tapping, Shiatsu and Clapping - 5 levels of speed to be adjusted

After activating the Swedish, Tapping, Shiatsu, or Clapping function, every time the button is pressed, the speed can be adjusted to "Lv1> Lv2> Lv3> Lv4> Lv5" in one cycle.

30 STRENGTH

The Strength Adjustment Button for Kneading - 5 levels of strength to be adjusted

After activating the Kneading function, every time the button is pressed, the strength can be adjusted to "Lv1> Lv2> Lv3> Lv4> Lv5" in one cycle.

31 WIDTH Adjustment

The Width Adjustment button for Tapping, Shiatsu, Clapping, Rolling

After activating the Tapping, Shiatsu, Clapping or Rolling function, you can press this button to adjust massage width to "narrow> medium> large" in one cycle.

32 Direction of Manual Massage Function

When the manual massage function is operating, press this button to change the rhythmic mode of manual massage between 1 and 2.

End Operation

Please press the "ON/OFF" button after use, and the chair will stop its operation, while the massage rollers will return to their original position; then switch the power supply button under the chair to "O" and unplug the machine from the electrical outlet.

Product Features

OGAWA massage Chair is controlled by a microcomputer that performs various intelligent massage methods and combinations, like Kneading, Swedish, Tapping, Shiatsu, Clapping, Rolling, Vibration, Footroller and Air Massage. All these massage methods accurately capture the acupressure points that could alleviate fatigue, promote metabolism and improve blood circulation effectively. Equipped with eighteen sets of full body automatic program, this product thoroughly fulfills your various needs.

Various types of manual / auto massage to suit your needs.

Spring-styled massage that is specially structured for the back is designed according to the curve of the human body to provide a more effective and thorough massage.

- The massage Rollers use an actuator to provide an in-depth massage to the acupressure points on the back.
- Designed according to body curve, to provide better massage sensations.
- The Timer Function can be adjusted according to your desired duration of the massage programmer.
- Liquid Crystal Display controller for a user friendly operation.
- Built in with power surge and automatic temperature sensor for safety.
- The operation is controlled by an intelligent microprocessor for excellent performance and consistent quality.

Product Specifications

Product Name	OGAWA Smart Sento
Model number of the product	OG 6238
Power source	220V - 240V
Alternating current	50/60Hz
Power consumption	300W
Timer	5/10/15/20/25/30 minutes
Maximum operating period	30 minutes
Dimension (Length/width/height)	Upright position : 142*84*123 (cm) Reclined position : 190*84*84 (cm)
Weight	Product gross weight: 127.5 kg
	Product net weight: 105 kg
Length of the wire	Controller wire: 150 cm
	Power supply wire: 180 cm
Usage condition	Environment temperature: 10°-40°C
	Contrasting humidity: 30-85RH
Storage condition	Storage temperature: 20°-60°C
	Storage humidity level: 30-85RH
Safety feature	Equipped with overheated and power surge safety protection.

Troubleshooting

This massage chair is controlled by a microcomputer and is susceptible to power surge even by +10% or -15%. The massage chair might experience the following circumstances, such as:

Conditions	Solutions
The Massage Chair can not operate even though it has been connected to the power supply.	<ol style="list-style-type: none">1. Check whether the plug is well connected and working well.2. Check whether the switch on the Massage Chair is turned to "I" position.
During operation, the Controller is working but not the Massage Chair.	The Massage Chair could be overheated after prolonged use. It will automatically cool down to resume its normal condition. Please turn OFF the power and allow the Chair to cool off for 30 to 50 minutes.
During operation, both the controller and the Massage Chair are not working.	<ol style="list-style-type: none">1. If the set-time in the Timer is complete, please press the timer function again to resume operation.2. Switch OFF power, and switch ON again to activate the Chair.

If above solutions are not applicable, kindly refer to the "Product Warranty Card" and contact OGAWA Service Center.

Product maintenance

1. Avoid direct sunlight and heat as this will have adverse affects on the leather.
2. Smudges and water-soluble stains such as coffee, tea, juice, can be removed with wet fabric.
3. Stubborn stains and non-water soluble stains can be removed with a mild solvent. Remove any remaining solvent by wiping the area with a cloth moistened with clean water.
4. Press the controller's buttons gently during operation; avoid pressing with finger nails.
5. Please pull out the power supply plug after use.
6. Recommended operation duration is 30 minutes. It is not advisable to exceed the suggested time frame.
7. The machine radiates heat on the surface, DO NOT use it over sensitive skin areas or in poorly-ventilated areas.

Contact Us



MALAYSIA
Healthy World Lifestyle Sdn Bhd
No. 22 Jalan Anggerik Mokara 31/47
Kota Kemuning, 40460 Shah Alam
Selangor Darul Ehsan, Malaysia
Tel : +603-5121 4286
Fax: +603-5121 4386



HONG KONG, CHINA
OGAWA Health Care International (HK) Ltd
31/F, YHC Tower, 1 Sheung Yuet Road
Kowloon Bay
Kowloon
Hong Kong
Tel: +852 3465 6262
Fax: +852 2410 0119



SINGAPORE
OGAWA Health-Care Pte Ltd
27 Tampine Industrial Avenue 5,
T5 @ Tampines
Singapore 528623

Tel: +065-6846 8588
Fax: +065-6846 7677



VIETNAM
OGAWA Vietnam
171 Nguyen Thi Thap Street
Tan Phu Ward
Dist 7
Ho Chi Minh City, Vietnam
Tel : +84 8 3775 3093 / 3775 3094
Fax: +84 8 3775 3095



INDONESIA
PT Healthy World
Lodan Center Block O No 20
Jalan Lodan Raya No 2
Jakarta Utara 14430
Tel : +62 21-6983 1123
Fax: +62 21-6983 1124



PHILIPPINES
O-Healthcare Solution Phil. Inc.
2303, 4th Floor, G&A Building,
Chino Roces Avenue Extension,
Makati City, Philippines
Tel : +632 889 0676 / +632 844 6851
Fax: +632 812 0421

目錄

安全說明	21
保修權限	23
產品部件	24
產品移動說明	25
控制器說明	26
產品操作說明	27
功能特點	33
產品規格	34
疑難解答	35
產品保養	36
聯絡我們	37

安全說明

警告!

此按摩椅必須使用與插頭相配的插座。不正確的接地將會導致觸電危險的發生。

請不要擅自改裝插頭或插座，務必委託專業的技術人員進行檢查。

使用電器產品時，為減少觸電、灼傷、火災、或人員傷害的危險，應遵守基本安全預防措施，包括以下內容：

在使用前請閱讀所有的使用說明。

1. 務必使用與插頭相配的插座。
2. 一定要確保插頭完全插入插座內，以減少短路或火災危險。
3. 在使用後或清潔前，請務必及時拔掉插頭。
4. 請勿在高濕度的環境下使用本產品。
5. 請勿在室外或陽光直射的地方存放或使用本產品。
6. 如果在使用過程中突然停電，請立即將開關撥至「O」的位置，且拔掉插頭，以免來電時損壞本產品。
7. 當電源線潮濕或損壞時請勿使用按摩椅。
8. 請勿用濕手插入和拔掉插座，以免發生意外。
9. 當小孩、傷殘人士、行動不便者在按摩椅附近或使用按摩椅時，一定要有人在場看護。
10. 只能將本產品用於本說明書中闡述的用途。
11. 不要使用非 OGAWA 推薦的附件。
12. 在使用過程中請勿坐在按摩椅小腿上，以免導致意外。
13. 請勿試圖站在扶手或靠背上，以免按摩椅發生傾倒從而導致意外。
14. 按摩過程中請勿進入睡眠狀態。
15. 請經常保持按摩椅清潔，避免將其他物體插入按摩椅的縫隙中。

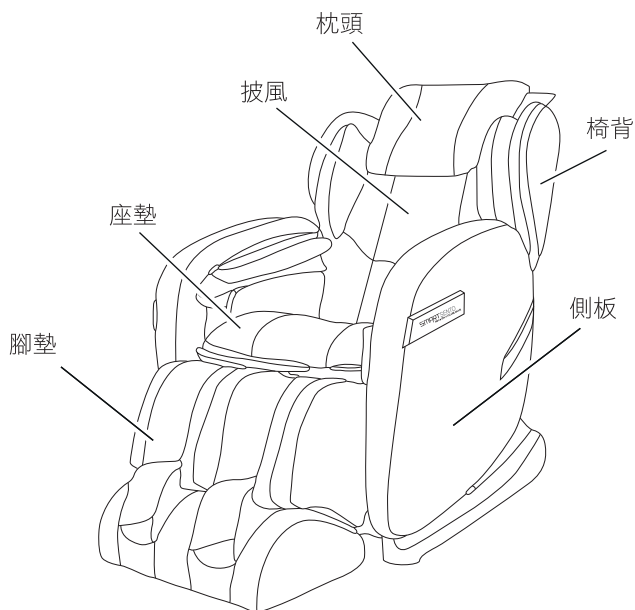
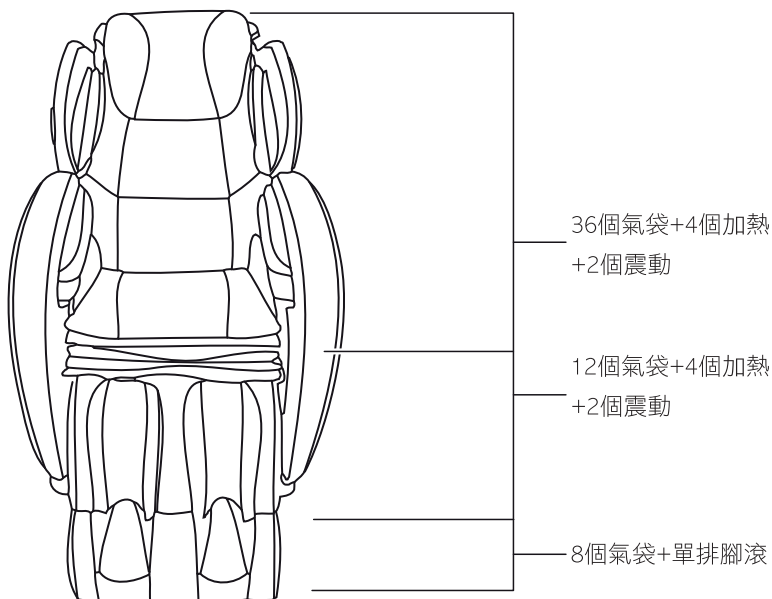
安全說明

16. 請勿直接透過拉扯電源線來移動按摩椅。
17. 請確保當降低小腿或靠背時，其下方無其他物體，特別是小孩。
18. 請在每次使用前，檢查按摩椅靠背絨布等處是否有異常裂縫。如有異常，請勿使用並即時聯繫 OGAWA 售後服務中心。
19. 本產品僅為居家使用而設計。
20. 當您無法確定自己是否能使用按摩椅時，請先諮詢醫師。
21. 為避免因使用此按摩椅而導致不適或傷害，以下人士在使用本產品前應諮詢醫師：
 - 患有惡性腫瘤者
 - 患有心臟病者
 - 孕婦、產婦或月經期者
 - 需要安靜休息者
 - 正在接受治療者
 - 有背部疾病者，脊椎異常或扭曲者
22. 如在使用過程中覺得疼痛，請立即停止使用；如果在使用過程中受到損傷，請立即就醫。請勿按摩紅腫或發炎的皮膚。
23. 本產品僅為家庭提供舒適的按摩享受，並非專業的按摩醫療機械，因此不能代替專業的治療。
24. 建議每天使用按摩椅的時間為 30 分鐘，按摩同一部位時間不宜超過15分鐘，否則過度按摩會導致適得其反的效果，而且長時間使用會導致按摩椅過熱並縮短產品使用壽命。
25. 請勿在噴氣體溶膠或輸氧的環境中使用本產品。
26. 12歲或以下兒童不適宜使用本產品。
27. 如果電源線損壞，必須使用 OGAWA 或合法代理商所提供的專用電源線。
28. 使用過程中若施加過大的外力，為安全起見，機芯會自動停止以保護。當出現該情況時，先切斷整機電源，10秒后再接通電源進行操作。特別是體重超過100KG的用戶，使用時要特別注意。

保修權限

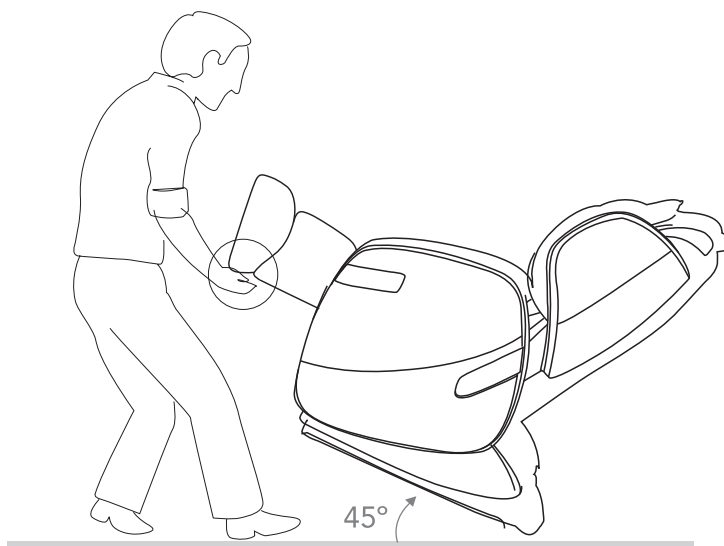
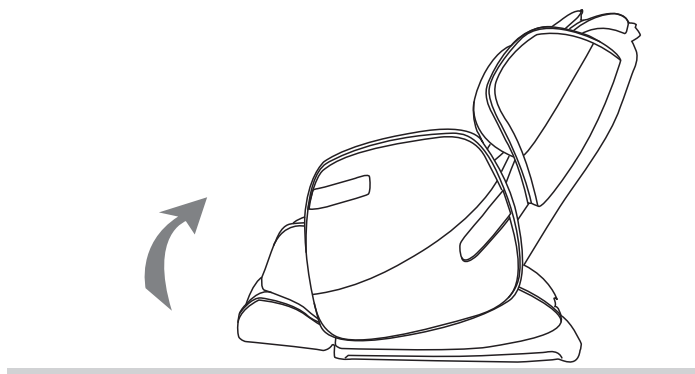
1. 本保修權限不可轉讓。
2. 本保修服務僅對在 OGAWA 購買的產品有效。
3. 當要求保修服務時，請出示購買證明（正本收據）。
4. 所有保修項目，包括但不限於這些健身及適銷性的保修項目有效期限需視保修政策而定。
5. 因錯誤使用、處理不當以及未經授權私自改裝和維修產品而導致的損壞，不屬於保修範圍。
6. 此保修範圍不包括不屬於產品本身的附件。
7. 此保修範圍不適用於租憑、交易、商業、機構或其他非住宅用戶。
8. 此保修範圍內所涉及的維修服務需經過 OGAWA 授權，且必須由授權的技術人員維修。
9. 若需更換的維修附件缺貨，OGAWA 有權採用替代配件進行維修。

產品部件



產品移動說明

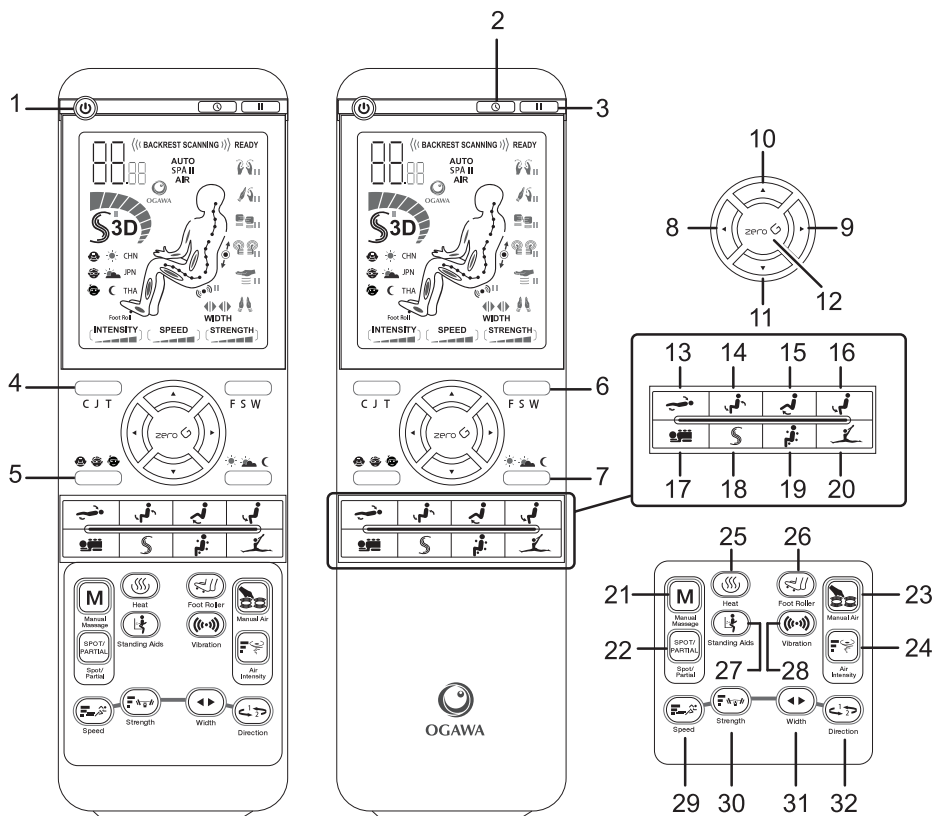
拖起小腿墊，將椅背傾斜約45度以方便在室內自由移動按摩椅。



注意：

- i. 在移動按摩椅時一定要把腿墊完全收回，若不遵守，在移動過程中腿墊收到原始位置時，有可能導致受傷的情況。
- ii. 當有人坐在按摩椅上時，請不要移動椅子。
- iii. 移動按摩椅時可能會損傷地板，建議在本產品下鋪上墊子等。

控制器說明



產品操作說明

接通電源，將按摩椅座架下方的電源開關按至「I」的位置，按摩椅處於復位狀態。此時按摩椅進入待機狀態，在待機狀態下，開/關控制鍵的紅燈會不停的閃爍，表示已接通電源。待機狀態的情況下，只有開關、升背、倒背、升腿、降腿及助站六項功能可以操作。

按摩椅控制鍵

1 開/關

整機按摩功能啟/停控制鍵

按一下此控制鍵開機，手控器的紅色燈和手控器熒幕將被點亮，此時按下任何鍵開始享受按摩，同時將啟動定時功能。產品處於運行狀態時按一下此鍵關機，按摩輪、靠背和小腿將恢復到初始位置。

2 定時

按摩時間控制鍵

當按摩程序啟動時定時功能自動設為 15 分鐘，每按一次定時功能鍵，定時時間將按「20>25>30>5>10>15>20」分鐘循環。

注：午休定時時間為 8 分鐘，夜晚定時時間為 20 分鐘。

3 暫停

暫停控制鍵

如需暫停按摩功能，請按暫停鍵，此時所有按摩功能都將停止。暫停控制鍵的橙色燈將會閃爍，定時功能也一並暫停。再按此控制鍵以繼續被暫停的按摩功能，定時功能也將恢復計時。

全身自動按摩功能

當 16 個自動按摩程序中任意一個啟動之後，產品對背部自動進行檢測以達到最佳的按摩位置。同時也可根據需要按上、下方向鍵對按摩位置進行手動調整。

產品操作說明

12個全身或局部自動按摩程序：

4 各種手法

C：中式按摩

J：日式按摩

T：泰式按摩 *1

5 各種年齡

老年

中年

青年

6 深度按摩 *2

F：全身

S：頸肩

W：背腰

7 各種時段

早晨

午休 *1 *3

夜晚 *1 *4

*1、按此程序時，零重力、靠背和小腿調節鍵無效。

*2、全身：按鍵燈為紅色；頸肩：按鍵燈為綠色；背腰：按鍵燈為藍色。

*3、此程序默認按摩時間為 8 分鐘，且定時時間到時，靠背和小腿保持 20 分鐘後復位。

*4、此程序默認按摩時間為 20 分鐘。

8/9 3D功能調節控制

按左/右方向鍵，3D 按摩滾輪將向前凸出或向後回縮移動。此 3D 系統一共有 6 節檔供選擇，以提供不一樣的按摩享受。

產品操作說明

10/11 機芯上下調節

定點和區間功能位置調節控制鍵

在定點/區間按摩時，長按向上或向下方向鍵可調節按摩輪位置，到需要的按摩位置時放開，由此可以根據需要調節按摩位置。

12 零重力

在開機狀態下，按一次此鍵啟動零重力 1 形態，再按一次此鍵將進行改變至零重力 2 形態，再按此鍵則關閉零重力功能。

備註 1：當零重力 1 角度正在調節過程中，此時按下零重力控制鍵，零重力就停止於當時的角度，如果不按下零重力控制鍵，角度就會上升至默認中的零重力 1 位置。零重力 2 形態控制也是一樣。

備註 2：這是「助站」快捷按鍵。任何時候當按著零重力按鍵超過 2 秒，助站功能將會啟動。

注： 以下的按摩功能啟動時，零重力控制鍵將會無效：
泰式按摩/午休/夜晚/SPA/Triple-S/拉筋伸展

13/14 躺臥/起坐

按摩角度調節控制鍵

此二功能控制鍵可調節躺臥/起坐角度。按一次躺臥或起坐功能控制鍵以進行按摩角度調節。當按摩椅到達適當的角度時，再按一次躺臥、起坐中的其中一個控制鍵即可定位。

15/16 升腿/降腿

腿部角度調節控制鍵

此二功能控制鍵可調節小腿的升/降角度。按一次升腿或降腿功能控制鍵以進行小腿角度調節。當小腿到達適當的角度時，再按一次升腿、降腿中的其中一個控制鍵即可定位。

17 SPA

按一下此鍵，進入 SPA1 按摩模式，再按一次，進入 SPA2 按摩模式，再按此鍵，則停止 SPA 按摩程序。

注：

1. 按此程序時，零重力、靠背和小腿調節鍵無效。
2. 從腰部按摩到臀部時，按摩頭可能會出現高低不同的現象，此為按摩頭在調節機芯位置，為正常現象。

產品操作說明

18 Triple-S

按一下此鍵，進入 Triple-S 按摩模式 1，再按一次，進入 Triple-S 按摩模式 2。

注：

- 按此程序時，零重力、靠背和小腿調節鍵無效。
- 從腰部按摩到臀部時，按摩頭可能會出現高低不同的現象，此為按摩頭在調節機芯位置，為正常現象。

19 全身氣壓

氣囊按摩強度控制鍵 - 5 檔強度可調

按一下此鍵，進入全身氣壓按摩程序，再按一下，則停止全身氣壓按摩程序。

20 拉筋伸展

按一下此鍵，進入拉筋伸展按摩程序，再按一下，則停止拉筋按摩程序。

注：按此程序時，零重力、靠背和小腿調節鍵無效。

21 手動按摩功能

揉捏、瑞典式、捶擊、指壓、拍打、推拿手法選擇鍵

按一次此控制鍵啟動全背部揉捏按摩功能，每按一次此控制鍵將按順序切換「瑞典式>捶擊>指壓>拍打>推拿>停止」按摩手法。

22 定點/區間

背部定點功能控制鍵

此鍵用於啟停背部定點按摩功能。在所需按摩的位置按一下此鍵將對該按摩位置提供集中的定點按摩。再按一下切換到區間功能。

區間功能控制鍵

在進行背部定點按摩時，按下此鍵，開啟背部區間按摩功能。則在原點上下 8 cm 的區間內提供背部區間按摩，再按一下此鍵則解除背部「定點/區間」按摩功能。

產品操作說明

23 充氣選擇

充氣部位選擇控制鍵

按一次此鍵，進行小腿充氣按摩，每按一次此控制鍵將按順序切換「座/腰部> 手部> 肩部> 停止」充氣部位。

24 充氣強度

氣囊按摩強度控制鍵 - 5檔強度可調

在自動或手動充氣按摩模式下，每按一次此控制鍵將對充氣按摩強度如「Lv1 > Lv2 > Lv3 > Lv4 > Lv5」進行循環調整。

25 溫熱

溫熱部位選擇控制鍵

按一次此功能控制鍵以啟動腿部溫熱功能，每按一次此控制鍵將按順序切換「座> 腰部> 停止」溫熱部位。

26 腳底滾輪

腳底滾輪功能啟停控制鍵

按一次此鍵，開啟腳底滾輪按摩功能，再按一次，則停止此功能。

27 助站

助站功能控制鍵

在關機狀態下，按一次此鍵，啟動助站功能，幫忙使用者按摩後起身站立。

注：

1. 當按摩椅關機但不在復位狀態下時，按此鍵先進行靠背、小腿和按摩頭復位後再啟動助站功能。
2. 助站功能停止前的 5 秒，手控器發出「嗶、嗶」的響聲，此為提示即將關閉助站功能。

28 震動

震動功能啟停控制鍵

按一次此功能控制鍵以啟動座部和小腿震動模式 1 功能，再按一次啟動震動模式 2 功能，再按此鍵以停止震動功能。

產品操作說明

29 速度

瑞典式，捶擊，指壓及拍打按摩功能的速度調節控制鍵- 5 檔速度可調

在瑞典式，捶擊，指壓及拍打按摩功能運行模式下，每按一次此控制鍵將對按摩速度如「Lv1 > Lv2 > Lv3 > Lv4 > Lv5」進行循環調整。

30 力度

揉捏功能力度調節控制鍵- 5檔速度可調

在揉捏按摩功能運行模式下，每按一次此控制鍵將對按摩力度如「Lv1 > Lv2 > Lv3 > Lv4 > Lv5」進行循環調整。

31 寬度

捶擊、指壓、拍打和推拿寬度控制鍵

在捶打、指壓、拍打和推拿按摩啟動時，每按一次此控制鍵將對按摩滾輪寬度進行「窄> 中> 寬」循環調整。

32 手動按摩模式切換控制鍵

在手動功能啟動時，按此控制鍵可在手動按摩手法模式1與模式2之間切換。

操作完成

使用完畢之後，請按下「開/關」鍵，按摩椅將停止動作，按摩滾輪將自動復位。復位完成後，請按下按摩椅下方的電源開關至「O」的位置，接著可以安全拔出電源線。

功能特點

OGAWA 按摩椅通過電腦智能化控制，配合揉捏、瑞典式、捶打、指壓、拍打、推拿，震動，腳滾和氣壓功能等多種按摩手法及組合，針對各個穴位進行按摩，有效舒緩疲勞，促進新成代謝及加強血液循環。

具備各種全身自動/手動按摩功能以符合您的各種要求。

除了精確的穴位按摩外，可同步進行各種按摩功能以形成特製按摩程序。

1. 按摩滾輪採用推杆為背部穴位提供更深入的按摩。
2. 根據人體工學設計，以提供更有效的按摩效果。
3. 定時功能將按照您的需求對按摩時間進行調整。
4. 液晶顯示使手控器更易於操作。
5. 具備過熱過流保護，更加安全。
6. 操作是由微型智能處理器控制，使性能始終如一，卓越有效。

產品規格

產品名稱	OGAWA Smart Sento 按摩椅
產品型號	OG 6238
電壓	220V - 240V
頻率	50/60 Hz
功率	300 瓦特
定時	5/10/15/20/25/30 分鐘
最大工作時間	30 分鐘
尺寸 (長x 寬 x 高)	直立状态 : 長142*寬 84*高123 (厘米) 倒背状态 : 長190*寬 84*高 84 (厘米)
重量	毛重 :127.5 公斤
	淨重 :105 公斤
線長	手控器線長 :150 厘米
	電源線長 : 180 厘米
使用環境	環境溫度 : 10°C - 40°C
	相對濕度 : 30 - 85RH
儲存環境	環境溫度 : 20°C - 60°C
	濕度水平 : 30 - 85RH
安全功能	具備過熱，過流保護

疑難解答

此按摩椅為微電腦控制，對電壓波較為敏感。如果電壓波動超過限定電壓+10%或-15%，按摩椅可能會出現以下情況。

異常情況	處理方法
插上電源，但按摩椅無法操作。	<ol style="list-style-type: none">1. 檢查電源插頭是否插好或是否通電。2. 檢查按摩椅上的電源開關是否在「I」位置。
使用過程中，控制器可以操作，但按摩椅無法操作。	長時間操作後，按摩椅引擎的溫度若過高，按摩椅將自動處於溫度保護狀態。請關閉電源並暫停使用 30 ~ 50 分鐘以上讓引擎內部散熱。
使用過程中，控制器無法操作，按摩椅也無法操作。	<ol style="list-style-type: none">1. 自動定時功能啟動後，若定時時間已到，請重新按鍵即可操作。2. 關掉電源，重新通電啟動按摩椅。

若以上處理方法無效，請參閱《產品保修卡》，聯繫 OGAWA 服務中心。

產品保養

1. 避免陽光直接照射和接近熱源免造成皮革損壞。
2. 普通和水解污迹如咖啡迹、茶迹、果迹可用清水沾布擦除。
3. 頑固和非水解污迹可用中性清潔液擦除，然後再用清水沾布擦拭乾淨。
4. 操作時請輕觸按鍵，避免指甲按壓。
5. 使用後請立即拔出電源插頭。
6. 建議使用時間不超過 30 分鐘，不宜過長過度使用將導致適得其反的效果。
7. 本產品配有加熱功能，對熱不敏感者慎用。

聯絡我們



马来西亚
Healthy World Lifestyle Sdn Bhd
No. 22 Jalan Anggerik Mokara 31/47
Kota Kemuning, 40460 Shah Alam
Selangor Darul Ehsan, Malaysia
Tel: +603-5121 4286
Fax: +603-5121 4386



新加坡
OGAWA Health-Care Pte Ltd
27 Tampine Industrial Avenue 5,
T5 @ Tampines
Singapore 528623
Tel: +065-6846 8588
Fax: +065-6846 7677



印尼
PT Healthy World
Lodan Center Block O No 20
Jalan Lodan Raya No 2
Jakarta Utara 14430
Tel: +62 21-6983 1123
Fax: +62 21-6983 1124



中国香港
OGAWA Health Care International (HK) Ltd
31/F,YHC Tower,1Sheung Yuet Road
Kowloon Bay
Kowloon
Hong Kong
Tel:+852 3465 6262
Fax:+852 2410 0119



越南
OGAWA Vietnam
171 Nguyen Thi Thap Street
Tan Phu Ward
Dist 7
Ho Chi Minh City, Vietnam
Tel: +84 8 3775 3093 / 3775 3094
Fax: +84 8 3775 3095



菲律宾
O-Healthcare Solution Phil.Inc.
2303, 4th Floor, G&A Building,
Chino Roces Avenue Extension,
Makati City, Philippines
Tel : +632 889 0676 / +632 844 6851
Fax: +632 812 0421



Ogawa is grateful
to have received
these awards:



Ogawa Wellness Hubs : Malaysia . Singapore . Vietnam . Philippines . Indonesia . Myanmar . India . China
Hong Kong . Taiwan . Turkey . Pakistan . Saudi Arabia . Mauritius . Russia . France
Canada