



OGAWA

SMARTVOGUE

URBAN MATRIX MASSAGE CHAIR



User Manual

REV. 1.0

OG 5568 使用手册



SMARTVOGUE

URBAN MATRIX MESSAGE CHAIR

User Manual

All information is correct at the time of print

CONTENTS

Safety Instructions	03
Warranty Claims	05
Product Parts	06
Chair Installation	07
Moving the Chair	08
Controller Diagram	09
Product Operation Guide	10
Product Features	14
Product Specifications	15
Product Troubleshooting	16
Product Maintenance	17
Contact Us	18

Safety Instructions

Warning!

The plug of the massage chair must be fully inserted into an appropriate outlet. Improper connection of the equipment-grounding conductor can result in the risk of electric shock.

Check with a qualified electrician and service personnel if you are in doubt as to whether the product is properly grounded. Do not modify the product's accompanying plug. If the outlet is not suitable, be sure to have a proper outlet installed by a qualified electrician.

When using the massage chair, basic precautions should always be followed to reduce the risk of electric shock, burns, fire, or injury.

Read the following details before use:

1. Be sure to insert the massage chair plug into the proper electrical outlet.
2. Make sure that the power plug is securely inserted into the proper electrical outlet to reduce the risk of short-circuit and fire.
3. Always unplug the massage chair from the electrical outlet immediately after use and before cleaning.
4. DO NOT use the massage chair in places where the humidity is high.
5. DO NOT use the massage chair outdoors and avoid places with direct sunlight.
6. If the power goes off during use, be sure to turn the power switch to the "O" position and pull the power plug out from the socket to prevent any damages at the time when the power comes back.
7. Never operate the massage chair if the power cord is wet or damaged.
8. Never plug/unplug the power cord from the socket with wet hands.
9. Close and continuous supervision is necessary when this appliance is used by or near children, invalids or disabled persons.
10. Use this appliance only as described in this user manual.
11. Do not use any attachments other than those recommended by OGAWA.
12. Do not stand, sit or jump in the calves rest when the massage chair is in use. This may result in an accident or injury.
13. Do not attempt to stand on the backrest and armrest .This may result in an accident or injury.
14. Be careful not to fall asleep during the massage.

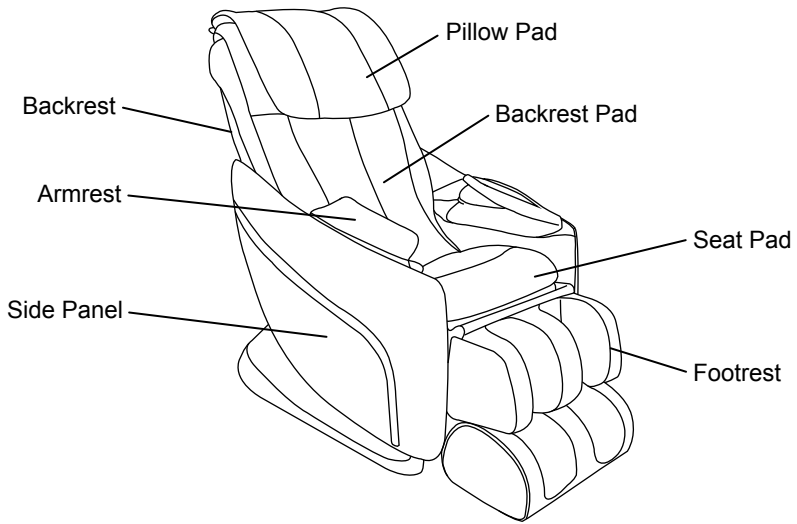
Safety Instructions

15. Always keep the massage chair clean and never insert any object into the gaps on and around the massage chair.
16. Do not remove the massage chair by pulling out the power supply cord.
17. Be sure to check that there is no one (children in particular), pets or obstacles under the massage chair prior to lowering the leg rest /backrest.
18. Always check whether the surface of the massage chair is torn or ripped before use. If you find any unfamiliar tears in any area of the cloth in the backrest, do not use the massage chair. Kindly contact OGAWA service center immediately for repairs.
19. This appliance is designed for household use only.
20. For those suffering from illnesses, please consult your doctor on whether you can use the massage chair if in doubt.
21. The following persons are requested to consult a doctor prior to use in order to reduce the risk of the user feeling sick or suffering from an injury:
 - Those who have a malignant tumor;
 - Those who suffer from heart disease;
 - Those who are experiencing pregnancy, menstruation and puerperal;
 - Those who require complete rest;
 - Those who are under medical treatment;
 - Those who suffer from back problems or whose backbone is abnormal or bent.
22. If you experience pain during use, stop the massage chair immediately. If any injuries happen, consult a doctor immediately.
23. Never massage on swollen or inflamed parts of the body.
24. This product is a non-professional appliance designed to provide a comfortable massage. Do not use this product as a substitute for medical treatment.
25. Do not use this massage chair for more than 30 minutes at one time and kindly limit the massage to a concentrated area for not more than 15 minutes. Over-massaging can result in overheating, and thus reducing the product's lifespan.
26. Do not operate where aerosol (spray) products are used or where oxygen is being administered.
27. The massage chair is not suitable for children aged 12 years old and below.
28. If the supply is damaged , it must be replaced by a special cord or assembly available from the manufacturer or its service agent .

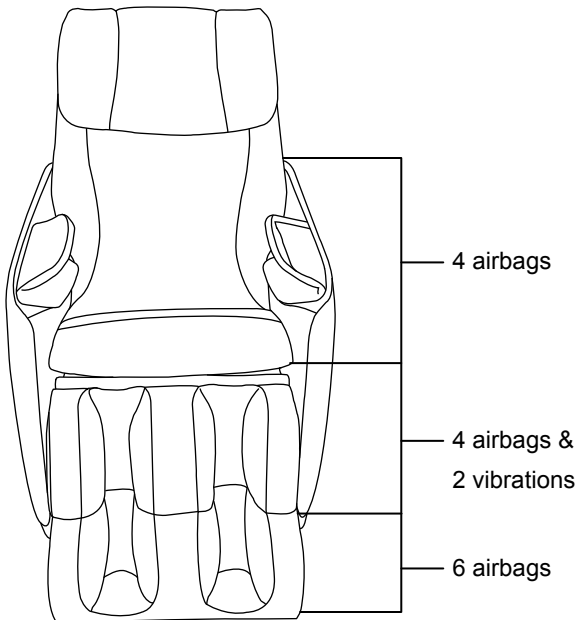
Warranty Claims

1. Warranty is not transferable.
2. This warranty is effective only if the product is purchased from OGAWA.
3. Proof of purchase (original receipt) is required for all warranty repairs.
4. All implied warranties, including but not limited to these implied warranties of fitness and merchantability, are limited to the duration stated in the warranty policy.
5. Damage due to misuse, improper treatment and unauthorized modification and repair are not covered by this warranty.
6. Warranty does not cover accessories and attachments which do not belong to the massage unit.
7. Warranty is not effective to rental, business, commercial, institutional or other non-residential users.
8. All services covered by this warranty must be approved by OGAWA and repaired by authorized technicians only.
9. If replacement parts for defective materials are not available, OGAWA reserves the right to make substitution in lieu of repair or replacement.

Product Parts

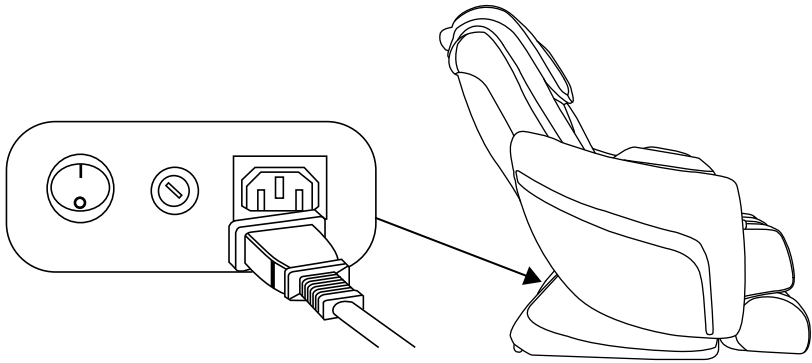


Airbag Massaging Positions



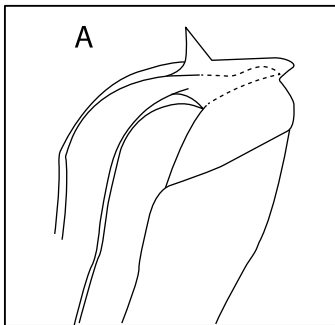
Chair Installation

Step 1. Connect the wire plug. Switch the power switch under the chair to: “I” position, chair will adjust to idle mode.



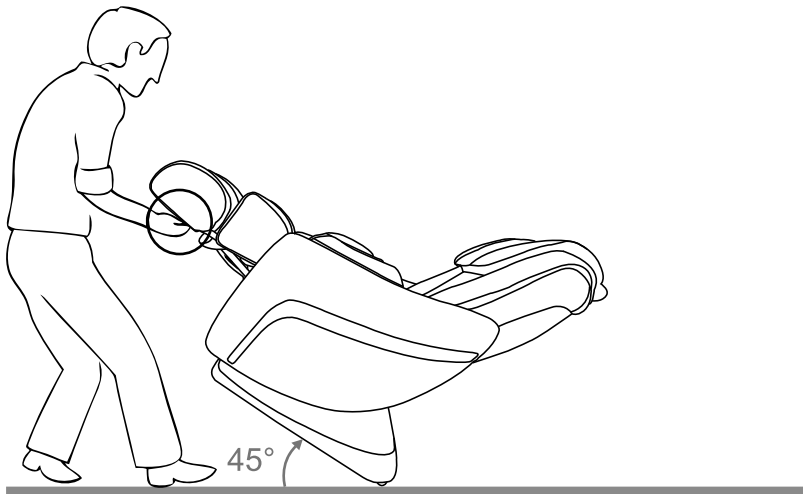
Step 2. Attach the backrest pad

A) Attach the backrest pad using the zipper of the back of the chair.



Moving the Chair

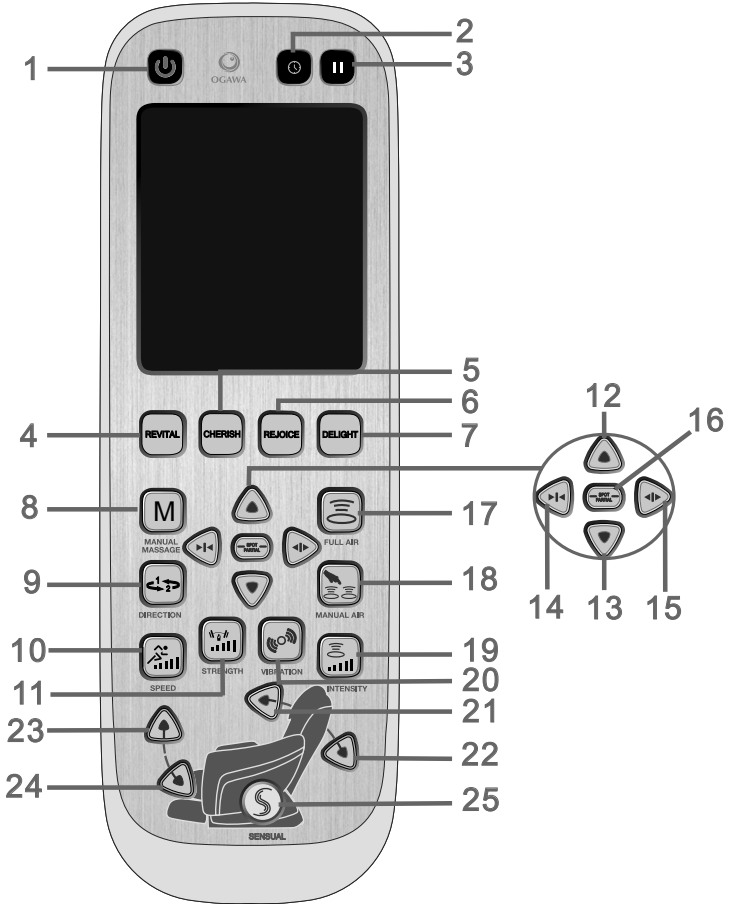
Lift up the footrest then reclining the chair to approximate 45° to easily move the chair around the house with a slight pull or push.



Caution:

- i. Before moving the chair, please put the foot rest back in the original position. Otherwise, injuries might occur in the process of moving the chair.
- ii. Avoid moving the massage chair when there is someone seated on it.
- iii. Placing a mat underneath the massage chair is advisable, as the moving process might leave scratches on the floor surface.

Controller Diagram



Product Operation Guide

Connect to the power supply, and turn the switch to: “I” position, and the chair is now in idle mode. During this idle mode, the ON/OFF button will blink, which means the electric supply is connected. During the idle mode, there are only five functions available: ON/OFF, Incline, Recline, Incline Leg, Recline Leg.

Control Buttons for the Massage Chair

1 ON/OFF

The Start/Stop Control Button

Press once on this button, the LCD backlight and ON/OFF button will be lit. Press any message function button to begin the chair’s massage functions. This will also start the Timer. Press this button again to stop all massage functions, and the massage rollers will return to their original position.

2 TIMER

Time Interval Control Button

When a massage function is activated, the time is preset at 15 minutes. Every time this button is pressed, it will change the time interval sequence at “20>25>30>5>10>15>20” minutes.

Note: DELIGHT Auto massage program is set at 8 minutes.

3 PAUSE

The Pause Button

When the chair is in massage mode and the user wants to temporarily pause it, press the Pause button and all massage functions will stop. The orange light of “Pause” button will flash and the timing function will pause as well and the chair enters into idle mode. Press the Pause button again to immediately cease the “Pause” function and resume the original massage function. The countdown will continue.

Full Body Auto Programmer

When any of the Auto Programs is activated, chairs will automatically performing a shoulder height scan to achieve a best massage position. The user can manually adjust the shoulder height position to the desired comfort.

Product Operation Guide

The following are the Auto Program available:

4 REVITAL

5 CHERISH

6 REJOICE *1

7 DELIGHT *2

(The massage roller, backrest and footrest will return to the original position when the Auto Program ends or the timer reaches zero.)

Note: 1. The backrest and footrest cannot be adjusted when selected this program.

2. Massage time is set at 8 minutes, and the position, backrest and footrest will not return to the original position for this program.

8 Manual Massage Function

KNEADING, SWEDISH, TAPPING, SHIATSU, CLAPPING, ROLLING

Press this button to activate the rhythmic kneading manual massage function for a full back massage at medium strength. Every time this button is pressed, the manual massage function will change in the sequence of KNEADING > SWEDISH > TAPPING > SHIATSU > CLAPPING > ROLLING > Stop.

9 Direction of Manual Massage Function

When the manual massage function is operating, press this button to change the rhythmic mode of manual massage between 1 and 2.

10 SPEED

Speed Adjustment Button for Swedish, Tapping, Shiatsu and Clapping - 5 levels of speed

After activating the Swedish, Tapping, Shiatsu, or Clapping function, every time the button is pressed, the speed will be adjusted to "Lv1>Lv2>Lv3>Lv4>Lv5" in the cycle.

11 STRENGTH

Strength Adjustment Button for Kneading - 5 levels of strength

After activating the Kneading function, every time the button is pressed, the strength will be adjusted to "Lv1>Lv2>Lv3>Lv4>Lv5" in the cycle.

Product Operation Guide

12/13 UPWARD/DOWNWARD

The message position adjustment button for spot and partial massage

When the Spot or partial massage functions are activated, press and hold the button to move the massage roller upward or downward. Release the button when the desired position is achieved.

14/15 WIDTH Adjustment

The Width Adjustment button for Tapping, Shiatsu, Clapping, Rolling

After activating the Tapping, Shiatsu, Clapping or Rolling function, you can press the left button to decrease the width and press the right button to increase it.

16 SPOT/PARTIAL

The Spot or Partial Back massage

This button allows the user to select Spot massage for any part on the back. Press this button once to activate spot massage at the required location. Press this button again to switch to Partial function.

The partial Back Massage

This button allow user to select Partial Massage for any part of the back. The massage will take the spot position as the centre to perform partial massage at a distance of approximate 8 cm. Press again to stop the function.

17 FULL AIR - 5 level of air intensity available

Press the button once to activate all inflation functions to enjoy Air-pressure massage at feet, legs and arms. Press it again to stop the function.

18 MANUAL AIR

Setting Air Squeeze

Press this button to activate localize air-pressure massage. Every time this button is pressed, manual air-pressure massage function will change in the sequence of FOOTREST > HANDREST + BOTTOM FOOT> STOP in cycle.

19 INTENSITY

The Intensity Adjustment Button for Air-pressure - 5 levels of intensity to be adjusted

After activating the Air-Pressure function (Auto and Manual), press this button to adjust the intensity to “Lv1>Lv2>Lv3>Lv4>Lv5” in the cycle.

Product Operation Guide

20 Foot Vibration

Footrest Vibration function Start/Stop Control Button

Press it once on to activate the footrest vibration, and press it again to stop the function.

21/22 BACKREST INCLINE/RECLINE

Angle Adjustment Control Button for Backrest

These two control buttons can be used to adjust the Inclining/Reclining angle of the backrest. Press the control button once to adjust backrest downward. When it reaches the desired comfortable position, press the control button again to stop adjustment.

23/24 INCLINE LEG/ RECLINE LEG

Angle Adjustment Control Button for Footrest

These two control buttons can be used to adjust the Inclining/Reclining angle on the Footrest. Press the control button once to adjust the footrest upward or downward. When it reaches the desired comfortable position, press the control button again to stop adjustment.

25 SENSUAL

Press this button once to enter the hip massage mode 1, then the button will light green and the backrest will recline to 160°. Press the button again to enter the hip massage mode 2, then the button will light red and the backrest will recline to 180°.

Note:

1. The backrest cannot be adjusted in this program.
2. The footrest and backrest will not return to the original position when the program ends.
3. When massaging across the waist, the massage roller might cause an unbalanced situation. This situation is normal as the roller is adjusting itself.

End Operation

Please press the “ON/OFF” button after use, and the chair will stop its operation, while the massage rollers will return to their original position; then switch the power supply button under the chair to “O” and unplug the machine from the electrical outlet.

Product Features

OGAWA Massage Chair is controlled by a microcomputer that can perform various intelligent massage methods and combinations, like Kneading, Swedish, Tapping, Shiatsu, Clapping, Rolling, Vibration and Air Massage. All these massage methods accurately capture the acupressure points that could alleviate fatigue, promote metabolism and improve blood circulation effectively.

Various types of manual / auto massage to suit your needs.

Spring-styled massage that is specially structured for the back is designed according to the curve of the human body to provide a more effective and thorough massage.

- 1) The massage Rollers use an interlocking gear to provide deeper massage to the acupressure points on the back.
- 2) Designed according to body curve, to provide better massage sensations.
- 3) The Timer Function can be adjusted according to your desired duration of the massage programmer.
- 4) Liquid Crystal Display controller for a user friendly operation.
- 5) Built in with power surge and automatic temperature sensor for safety.
- 6) The operation is controlled by an intelligent microprocessor for excellent performance and consistent quality.

Product Specifications

Product Name	OGAWA SMART VOGUE
Model no	OG 5568
Rated Voltage	220 - 240V ~
Rated Frequency	50/60Hz
Rated Power	120W
Timer	5/10/15/20/25/30 minutes
Maximum operating period	30 minutes
Dimension (Length/width/height)	Upright position: 146(L) x 76(W) x 115(H)cm Reclined position: 195(L) x 76(W) x 66(H)cm
Weight	Product gross weight: 94 kg
	Product net weight: 75 kg
Length of the wire	Controller wire: 1.5 m
	Power supply wire: 1.8 m
Usage condition	Environment temperature: 10°-40°C
	Contrasting humidity: 30-85RH
Storage condition	Storage temperature: 20°-60°C
	Storage humidity level: 30-85RH
Safety feature	Equipped with overheated and power surge safety protection.
Benefits	Increasing blood circulation. Relieving muscular fatigue.

Product Troubleshooting

This massage chair is controlled by a microcomputer and is susceptible to power surge even by +10% or -15%. The massage chair might experience the following circumstances, such as:

Possible Situations	Solutions
The Massage Chair can not operate even though it has been connected to the power supply.	<ol style="list-style-type: none">1. Check whether the plug is well connected and working well.2. Check whether the switch on the Massage Chair is turned to "I" position.
During operation, the Controller is working but not the Massage Chair.	The Massage Chair could be overheated after prolonged use. It will automatically cool down to resume its normal condition. Please turn OFF the power and allow the Chair to cool off for 30 to 50 minutes.
During operation, both the controller and the Massage Chair are not working.	<ol style="list-style-type: none">1. If the set-time in the Timer is complete, please press the timer function again to resume operation.2. Switch OFF power, and switch ON again to activate the Chair.

If above solutions are not applicable, kindly refer to the "Product Warranty Card" and contact OGAWA Service Center.

Product maintenance

1. Do not use water or other cleaning detergents to wash the massage chair.
2. Do not stack, knock with hard objects, pull harshly or scratch the surface of the massage chair.
3. Press the controller's buttons gently during operation; avoid pressing with finger nails.
4. Please pull out the power supply plug after use.
5. Recommended operation duration is 30 minutes. It is not advisable to exceed the suggested time frame.

Contact Us



MALAYSIA
Healthy World Lifestyle Sdn Bhd
No. 22 Jalan Anggerik Mokara 31/47
Kota Kemuning, 40460 Shah Alam
Selangor Darul Ehsan, Malaysia
Tel : +603-5121 4286
Fax: +603-5121 4386



HONG KONG, CHINA
OGAWA Health Care International (HK) Ltd
31/F, YHC Tower, 1 Sheung Yuet Road
Kowloon Bay
Kowloon
Hong Kong
Tel :+852 3465 6262
Fax:+852 2410 0119



SINGAPORE
OGAWA Health-Care Pte Ltd
17 Kaki Bukit Road 2
K. B. Warehouse Complex
Singapore 417846
Tel : +065-6846 8588
Fax: +065-6846 7677



VIETNAM
OGAWA Vietnam
171 Nguyen Thi Thap Street
Tan Phu Ward
Dist 7
Ho Chi Minh City, Vietnam
Tel : +84 8 3775 3093 / 3775 3094
Fax: +84 8 3775 3095



INDONESIA
PT Healthy World
Lodan Center Block O No 20
Jalan Lodan Raya No 2
Jakarta Utara 14430
Tel : +62 21-6983 1123
Fax: +62 21-6983 1124



PHILIPPINES
O-Healthcare Solution Phil. Inc.
2303, 4th Floor, G&A Building,
Chino Roces Avenue Extension,
Makati City, Philippines
Tel : +632 889 0676 / +632 844 6851
Fax: +632 812 0421

目錄

安全說明	20
保修權限	22
產品結構	23
安裝說明	24
產品移動說明	25
控制器說明	26
操作說明	27
功能特點	31
產品規格	32
異常情況	33
產品保養	34
聯絡我們	35

安全說明

警告!

此按摩椅必須使用和插頭相配的插座。不正確的接地將會導致觸電危險的發生。

請不要擅自改裝插頭或插座，務必委託專業的技術人員進行檢查。

在使用電器產品時，為減少觸電、灼傷、火災、或人員傷害的危險，應遵守基本安全預防措施，包括以下內容：

在使用前請閱讀所有的使用說明。

1. 務必使用和插頭相配的插座。
2. 一定要確保插頭完全插入插座內，以減少短路或火災危險。
3. 在使用後或清潔前，請務必及時拔掉插頭。
4. 請勿在高濕度的環境下使用本產品。
5. 請勿在室外或陽光直射的地方存放或使用本產品。
6. 如果在使用過程中突然停電，請立即將開關撥至「O」的位置，且拔掉插頭，以免來電時損壞本產品。
7. 當電源線潮濕或損壞時請勿使用按摩椅。
8. 請勿用濕手插入和拔掉插座，以免發生意外。
9. 當小孩、傷殘人士、行動不便者在按摩椅附近或使用按摩椅時，一定要有人在場看護。
10. 只能將本產品用於本說明書中闡述的用途。
11. 不要使用非 OGAWA 推薦的附件。
12. 在使用過程中請勿坐在按摩椅小腿上，以免導致意外。
13. 請勿試圖站在扶手或靠背上，以免按摩椅發生傾倒從而導致意外。
14. 按摩過程中請勿進入睡眠狀態。
15. 請經常保持按摩椅清潔，避免將其他物體插入按摩椅的縫隙中。

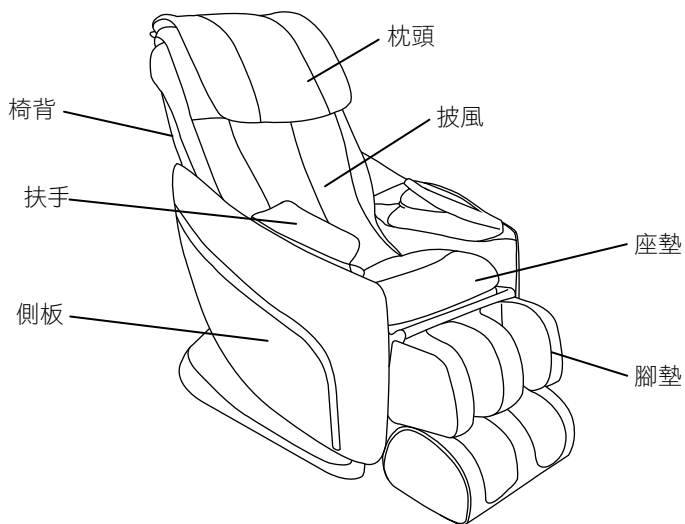
安全說明

16. 請勿直接通過**拉扯**電源線來移動按摩椅。
17. 請確保當**降低**小腿或靠背時，其下方無其他物體，特別是小孩。
18. 請在每次使用前，檢查按摩椅靠背絨布等處是否有**異常裂縫**。如有**異常**，請勿使用並即時**聯繫** OGAWA 售後服務中心。
19. 本產品僅為居家使用而設計。
20. 當您無法確定自己是否能使用按摩椅時，請先諮詢醫師。
21. 為避免因使用此按摩椅而導致**不適**或傷害，以下人士在使用本產品前應諮詢醫師：
 - 患有**惡性**腫瘤者
 - 患有心臟病者
 - 孕婦、產婦或月經期者
 - 需要安靜休息者
 - 正在接受**治療**者
 - 有背部疾病者，脊椎**異常**或扭曲者
22. 如在使用過程中覺得疼痛，請**立即**停止使用；如果在使用過程中受到損傷，請**立即**就醫。
23. 請勿按摩紅腫或發炎的皮膚。
24. 本產品僅為家庭提供舒適的按摩享受，並非專業的按摩醫療機械，因此**不能**代替專業的**治療**。
25. 建議每天使用按摩椅的時間為 30 分鐘，按摩同一部位時間**不宜**超過15分鐘，否則過**度**按摩會導致適得其反的效果，而且長時間使用會導致按摩椅過熱並縮短產品使用壽命。
26. 請勿在噴氣體溶膠或輸氧的環境中使用本產品。
27. 12歲或以下兒童**不適宜**使用本產品。
28. 如果电源线损坏，必须使用专用的电源线或从其制造商或维修部买专用组件来更换。

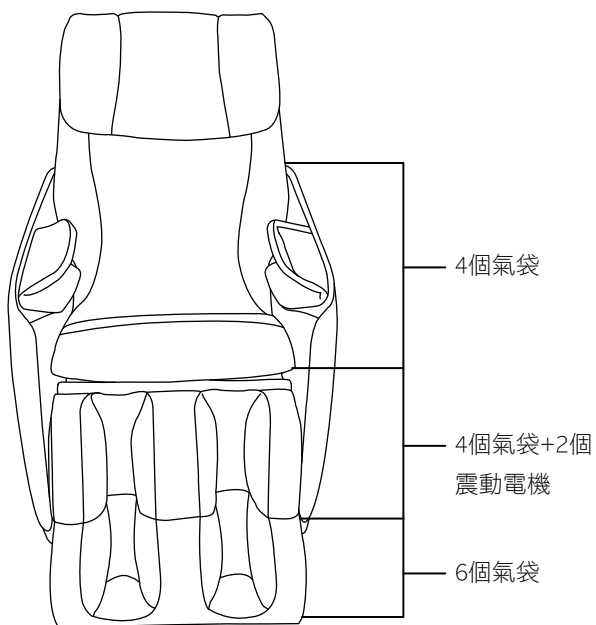
保修權限

1. 本保修權限不可轉讓。
2. 本保修服務僅對在 OGAWA 購買的產品有效。
3. 當要求保修服務時，請出示購買證明（正本收據）。
4. 所有保修項目，包括但不限於這些健身及適銷性的保修項目有效期限需視保修政策而定。
5. 因錯誤使用、處理不當以及未經授權私自改裝和維修產品而導致的損壞，不屬於保修範圍。
6. 此保修範圍不包括不屬於產品本身的附件。
7. 此保修範圍不適用於租憑、交易、商業、機構或其他非住宅用戶。
8. 此保修範圍內所涉及的維修服務需經過 OGAWA 授權，且必須由授權的技術人員維修。
9. 若需更換的維修附件缺貨，OGAWA 有權採用替代配件進行維修。

產品結構

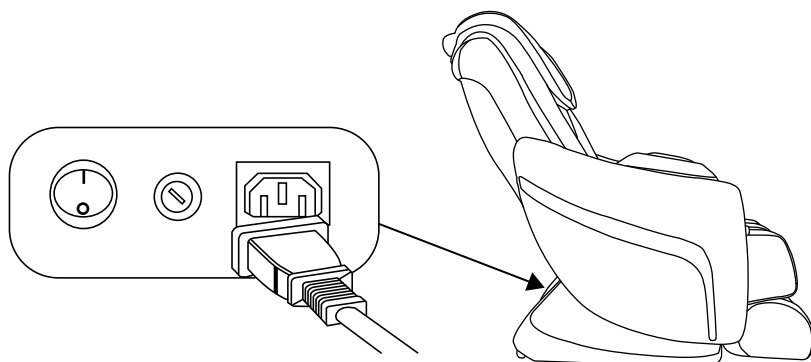


气囊按摩位置



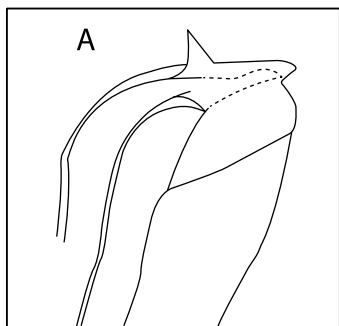
安裝說明

步驟一、接通電源，將按摩椅座架下方的電源開關按至“I”的位置，按摩椅自動調節到復位狀態。



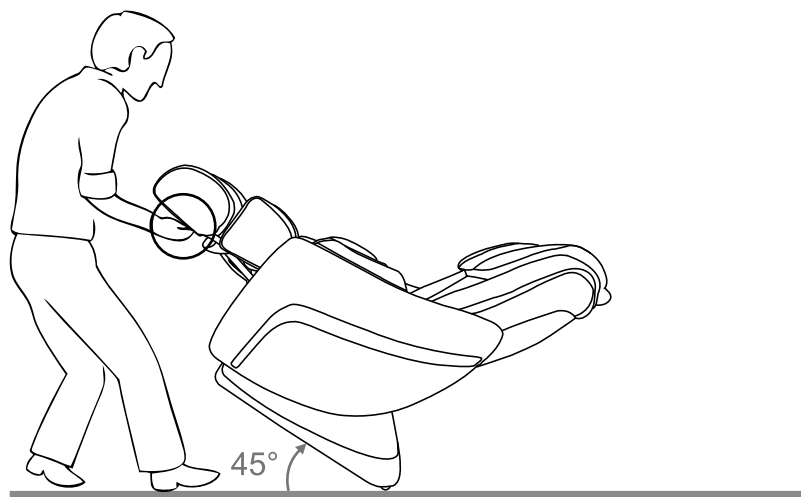
步驟二、披風連接。

A. 將披風與椅背上對應的拉鍊拉好。



產品移動說明

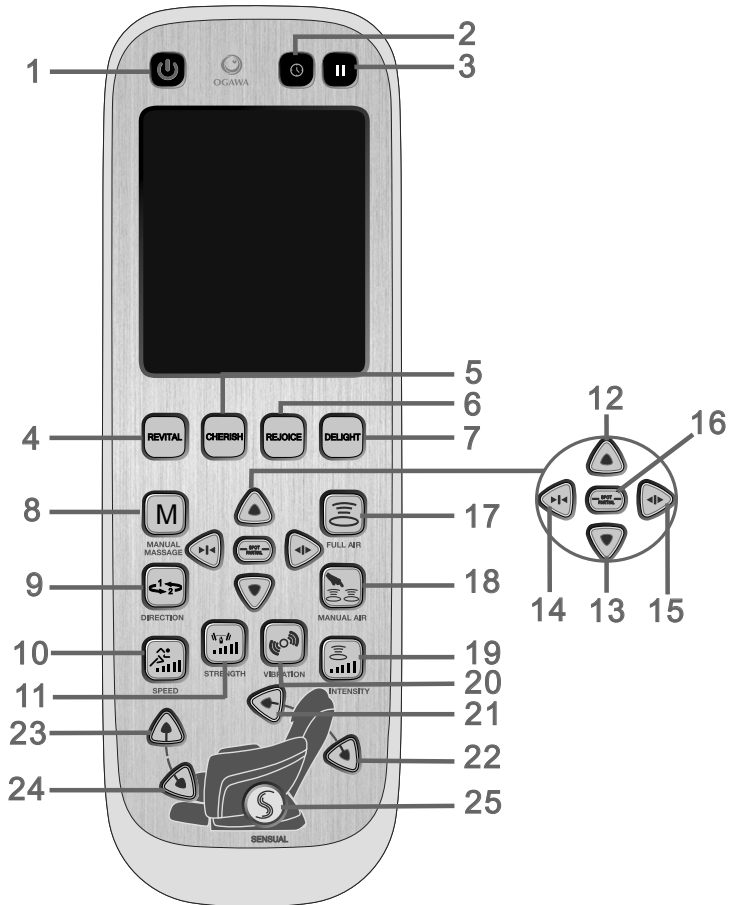
拖起小腿墊，將椅背傾斜約45度以方便在室內自由移動按摩椅。



注意：

- i. 在移動按摩椅時一定要把腿墊完全收回，若不遵守，在移動過程中腿墊收到原始位置時，有可能導致受傷的情況。
- ii. 當有人坐在按摩椅上時，請不要移動椅子。
- iii. 移動按摩椅時可能會損傷地板，建議在本產品下鋪上墊子等。

控制器說明



操作說明

接通電源，將按摩椅座架下方的電源開關按至「I」的位置，按摩椅處於復位狀態。此時按摩椅進入待機狀態，在待機狀態下，開/關控制鍵的紅燈會不停的閃爍，表示已接通電源。待機狀態的情況下，只有開關、升背、倒背、升腿、降腿五項功能可以操作。

按摩椅控制鍵

1 開/關

整機按摩功能啟/停控制鍵

按一下此控制鍵開機，手控器的紅色燈和手控器熒幕將被點亮，此時按下任何鍵開始享受按摩，同時將啟動定時功能。產品處於運行狀態時按一下此鍵關機，按摩輪、靠背和小腿將恢復到初始位置。

2 定時

按摩時間控制鍵

當按摩程序啟動時定時功能自動設為 15 分鐘，每按一次定時功能鍵，定時時間將按「20>25>30>5>10>15>20」分鐘循環。

注：DELIGHT按摩程序定于8分鐘。

3 暫停

暫停控制鍵

如需暫停按摩功能，請按暫停鍵，此時所有按摩功能都將停止。暫停控制鍵的橙色燈將會閃爍，定時功能也一併暫停，產品處於待機狀態。再按此控制鍵以繼續被暫停的按摩功能，定時功能也將恢復計時。

全身自動按摩功能

當自動按摩程序中任意一個啟動之後，產品將對背部自動進行檢測以達到最佳的按摩位置。同時也可根據需要按上、下方向鍵對按摩位置進行手動調整。

操作說明

全身自動按摩程序：

4 REVITAL

5 CHERISH

6 REJOICE *1

7 DELIGHT *2

當自動按摩程序結束或時間歸零時，按摩輪、背部和腿部將自動恢復到初始位置。

注：1. 當按此程序時，靠背和小腿調節鍵無效。

2. 此程序默認按摩時間為8分鐘，且定時時間到時，機芯、靠背和小腿均不復位。

8 手動按摩功能控制鍵

揉捏、瑞典式、捶擊、指壓、拍打、推拿手法選擇鍵

按一次此控制鍵啟動全背部揉捏按摩功能，每按一次此控制鍵將按順序切換「瑞典式>捶擊>指壓>拍打>推拿>停止」的按摩手法。

9 手動按摩模式切換控制鍵

在手動功能啟動時，按此控制鍵可在手動按摩手法模式1與模式2之間切換。

10 速度

瑞典式、捶擊、指壓、拍打功能速度控制鍵- 5檔速度可調

在啟動瑞典、捶擊、指壓、拍打功能後，每按一次此控制鍵按摩速度將按“Lv1>Lv2>Lv3>Lv4>Lv5”進行循環調節。

11 力度

揉捏功能力度控制鍵 - 5檔力度可調

在啟動揉捏功能後，每按一次此控制鍵按摩力度將按“Lv1>Lv2>Lv3>Lv4>Lv5”進行循環調節。

操作說明

12/13 機芯上下調節

定點和區間功能位置調節控制鍵

在定點/區間按摩時，長按向上或向下方向鍵可調節按摩輪位置，到需要的按摩位置時放開，由此可以根據需要調節按摩位置。

14/15 寬度

錘擊、指壓、拍打和推拿寬度控制鍵

在捶擊、指壓、拍打和推拿按摩啟動時，按左鍵按摩寬度變窄，反之，按右鍵則變寬。

16 定點/區間

背部定點功能控制鍵

此鍵用於啟停背部定點按摩功能。在所需按摩的位置按一下此鍵將對該按摩位置提供集中的定點按摩。再按一下切換到區間功能。

區間功能控制鍵

在進行背部定點按摩時，按下此鍵，開啟背部區間按摩功能。則在原點上下8CM的區間內提供背部區間按摩，再按一下此鍵則解除背部“定點/區間”按摩功能。

17 全身充氣

按一次此鍵，開啟所有充氣功能，按程序設定動作對腳部、腿部和手部進行氣壓按摩。

18 充氣選擇

充氣部位選擇控制鍵

按一次此鍵，進行腳側和腿側充氣按摩，再按一次切換到手臂+腳底充氣按摩，再按一次，則關閉充氣按摩。

19 充氣強度

氣囊按摩強度控制鍵 - 5檔強度可調

在自動或手動充氣按摩模式下，每按一次此控制鍵將對充氣按摩強度按“Lv1>Lv2>Lv3>Lv4>Lv5”進行循環調整。

操作說明

20 腿部震動

腿部震動功能啟停控制鍵

按一次此功能控制鍵以啟動腿部震動功能，再按一次此鍵以停止震動功能。

21/22 起坐/躺臥

椅背角度調節控制鍵

通過這兩個控制鍵可以調節椅背角度。按控制鍵一次以進行躺臥角度調節;當調節至適當位置時，再按一次控制鍵即可定位。

23/24 升腿/降腿

小腿角度調節控制鍵

分別通過這兩個控制鍵可以調節小腿的角度，按控制鍵一次以進行小腿角度調節。當調節至適當位置時，再按一次控制鍵即可定位。

25 SENSUAL

按一下此鍵，進入臀部按摩模式1，此時按鍵透綠光，椅背倒到160度，再按一次，進入臀部按摩模式2，此時按鍵透紅光，此時椅背倒到180度。

注：

- 1、按此程序時，靠背調節鍵無效。
- 2、此程序在定時時間到時，按小腿、靠背和按摩頭均不復位。
- 3、從腰部按摩到臀部時，按摩頭可能會出現高低不同的現象，此為按摩頭在調節機芯位置，為正常現象。

操作完成

使用完畢之後，請按下「開/關」鍵，按摩椅將停止動作，按摩滾輪將自動復位。復位完成後，請按下按摩椅下方的電源開關至「O」的位置，接著可以安全拔出電源線。

功能特點

OGAWA按摩椅通過電腦智能化控制，配合揉捏、瑞典式、捶擊、指壓、拍打、推拿，震動和氣壓功能等多種按摩手法及組合，針對各個穴位進行按摩，有效舒緩疲勞，促進新成代謝及加強血液循環。

具備各種全身自動/手動按摩功能以符合您的各種要求。

除了精確的穴位按摩外，可同步進行各種按摩功能以形成特製按摩程序。

1. 按摩齒輪採用連鎖齒輪為背部穴位提供更深入的按摩。
2. 根據人體工學設計，以提供更有效的按摩效果。
3. 定時功能將按照您的需求對按摩時間進行調整。
4. 液晶顯示使手控器更易於操作。
5. 具備過熱過流保護，更加安全。
6. 操作是由微型智能處理器控制，使性能始終如一，卓越有效。

產品規格

產品名稱	OGAWA SMART VOGUE 按摩椅
型號	OG 5568
額定電壓	220 - 240V~
額定頻率	50/60 赫茲
額定功率	•20 瓦特
定時	5/10/15/20/25/30 分鐘
最大工作時間	30 分鐘
尺寸 (長x 寬 x 高)	直立狀態:長 146 x 寬 76 x 高 115 (厘米) 倒背狀態:長 195 x 寬 76 x 高 66 (厘米)
重量	毛重: 94 公斤
	淨重: 75 公斤
線長	手控器線長: 1.5 米
	電源線長: 1.8 米
使用環境	環境溫度: 10 - 40 攝氏度
	相對濕度: 30 - 85RH
儲存環境	環境溫度: 20 - 60 攝氏度
	濕度水平: 30 - 85RH
安全功能	具備過熱, 過流保護
使用益處	促進血液循環, 放鬆機體

異常情況

此按摩椅為微電腦控制，對電壓波較為敏感。如果電壓波動超過限定電壓+10%或-15%，按摩椅可能會出現以下情況。

可能出現的異常情況	處理方法
插上電源，但按摩椅無法操作。	<ol style="list-style-type: none">1. 檢查電源插頭是否插好或是否通電。2. 檢查按摩椅上的電源開關是否在「I」位置。
使用過程中，控制器可以操作，但按摩椅無法操作。	長時間操作後，按摩椅引擎的溫度若過高，按摩椅將自動處於溫度保護狀態。請關閉電源並暫停使用 30 ~ 50 分鐘以上讓引擎內部散熱。
使用過程中，控制器無法操作，按摩椅也無法操作。	<ol style="list-style-type: none">1. 自動定時功能啟動後，若定時時間已到，請重新按鍵即可操作。2. 關掉電源，重新通電啟動按摩椅。

若以上處理方法無效，請參閱《產品保修卡》，聯繫 OGAWA 服務中心。

產品保養

1. 避免用水或其他化學劑來清洗按摩椅。
2. 避免重壓、硬物敲擊、強拉、刮花按摩椅表面。
3. 操作時請輕觸按鍵，避免以指甲按壓。
4. 使用後請立即拔出電源插頭。
5. 建議使用時間不超過 30 分鐘，不宜過長過度使用將導致適得其反的效果。

聯絡我們



马来西亚

Healthy World Lifestyle Sdn Bhd
No. 22 Jalan Anggerik Mokara 31/47
Kota Kemuning, 40460 Shah Alam
Selangor Darul Ehsan, Malaysia
Tel: +603-5121 4286
Fax: +603-5121 4386



中国香港

OGAWA Health Care International (HK) Ltd
九龍灣常悅道一號恩浩國際中心
三十一樓全層
Tel: +852 3465 6262
Fax: +852 2410 0119



新加坡

OGAWA Health-Care Pte Ltd
17 Kaki Bukit Road 2
K. B. Warehouse Complex
Singapore 417846
Tel: +065-6846 8588
Fax: +065-6846 7677



越南

OGAWA Vietnam
171 Nguyen Thi Thap Street
Tan Phu Ward
Dist 7
Ho Chi Minh City, Vietnam
Tel: +84 8 3775 3093 / 3775 3094
Fax: +84 8 3775 3095



印尼

PT Healthy World
Lodan Center Block O No 20
Jalan Lodan Raya No 2
Jakarta Utara 14430
Tel: +62 21-6983 1123
Fax: +62 21-6983 1124



菲律賓

O-Healthcare Solution Phil.Inc.
2303, 4th Floor, G&A Building,
Chino Roces Avenue Extension,
Makati City, Philippines
Tel : +632 889 0676 / +632 844 6851
Fax: +632 812 0421

Ogawa is grateful
to have received
these awards:



PUTRA
BRAND AWARDS 2010
SILVER
MALAYSIA'S MOST VALUABLE BRANDS

Ogawa Wellness Hubs : Malaysia . Singapore . Vietnam . Philippines . Indonesia . Myanmar . India . China
Hong Kong . Taiwan . Turkey . Pakistan . Saudi Arabia . Mauritius . Russia . France
Canada